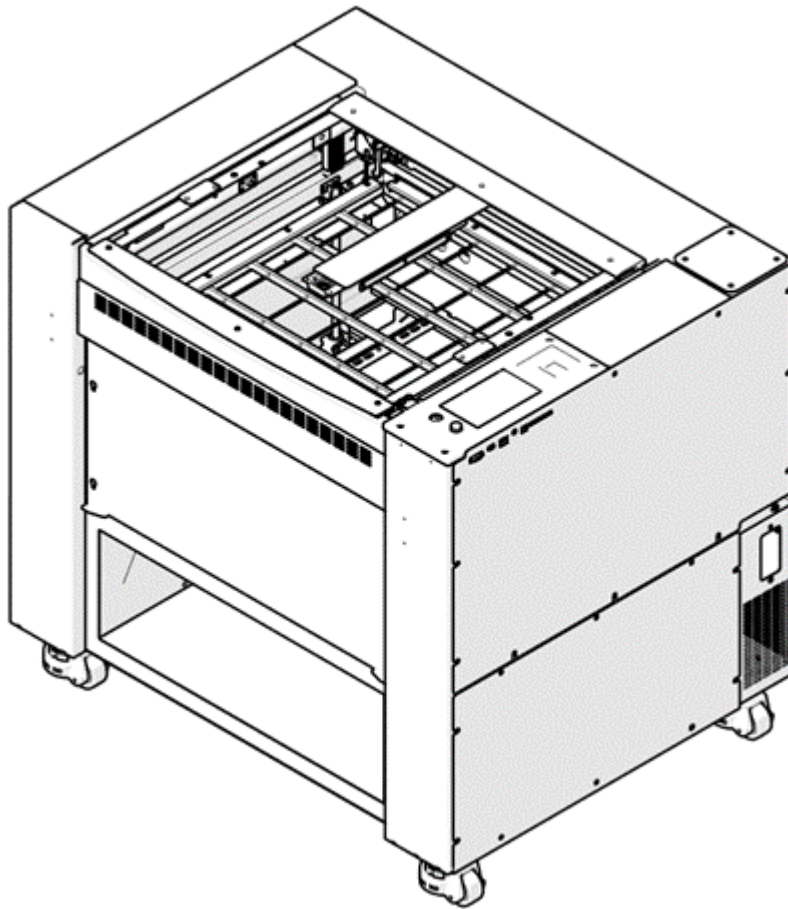
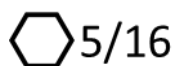
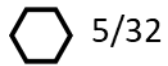


Top Door Removal and Replacement
Edge 24



Rev 01
04/18/2022

Tools Required



All directions given from the perspective of standing at the front of the machine looking to its rear.

About the safety messages used in this document:

Throughout this document, certain items are labeled Note, Safety Glasses, Caution, Warning or Danger. These terms alert you to precautions that may result in damage to your engraving system or a risk to your personal safety. Read and follow them carefully.



ELECTRICAL HAZARD: This symbol indicates a potentially hazardous situation which if not avoided could result in death or serious personal injury.



PINCH POINT HAZARD: This symbol indicates a possible pinch point hazard which if not avoided could result in personal injury and/or damage to the engraving system. Keep hands clear.

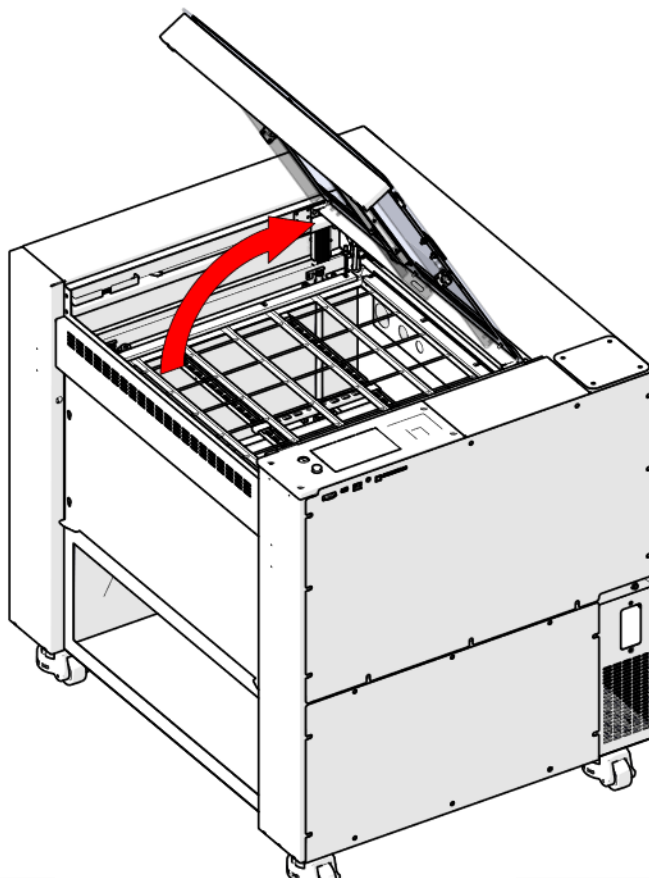
1. Turn off the machine




2. Disconnect

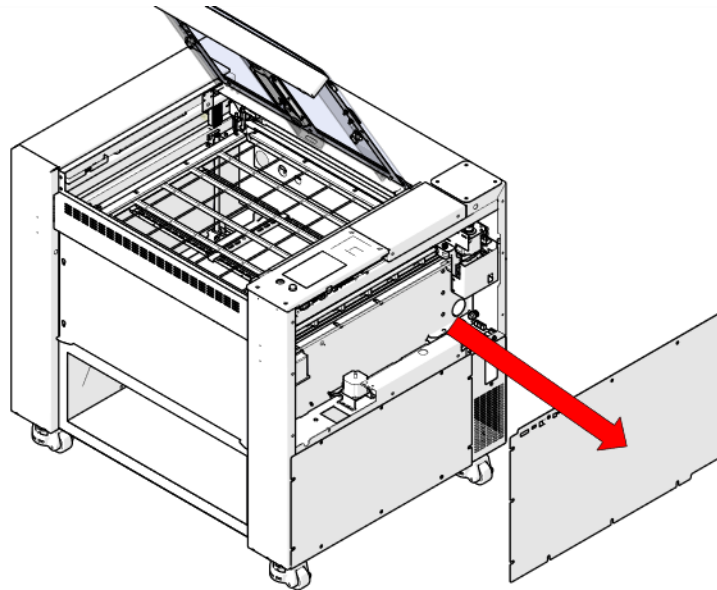


3. Open




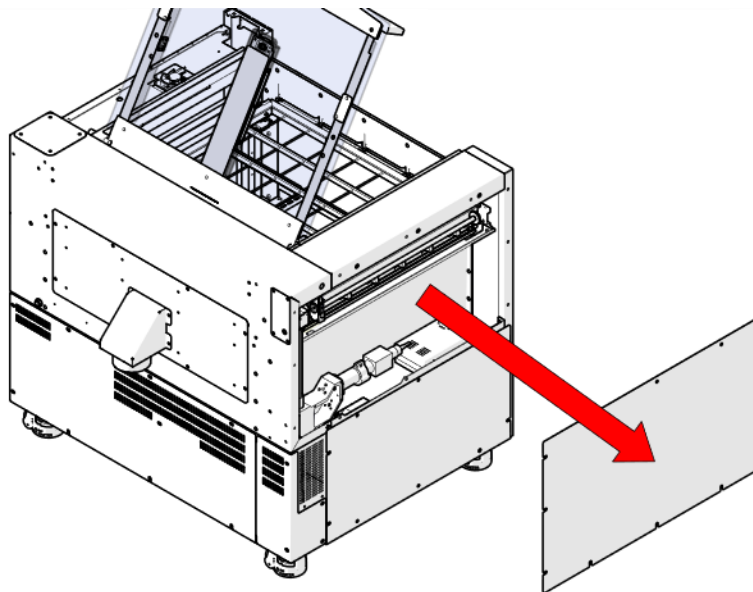
4. Remove:

 5/32



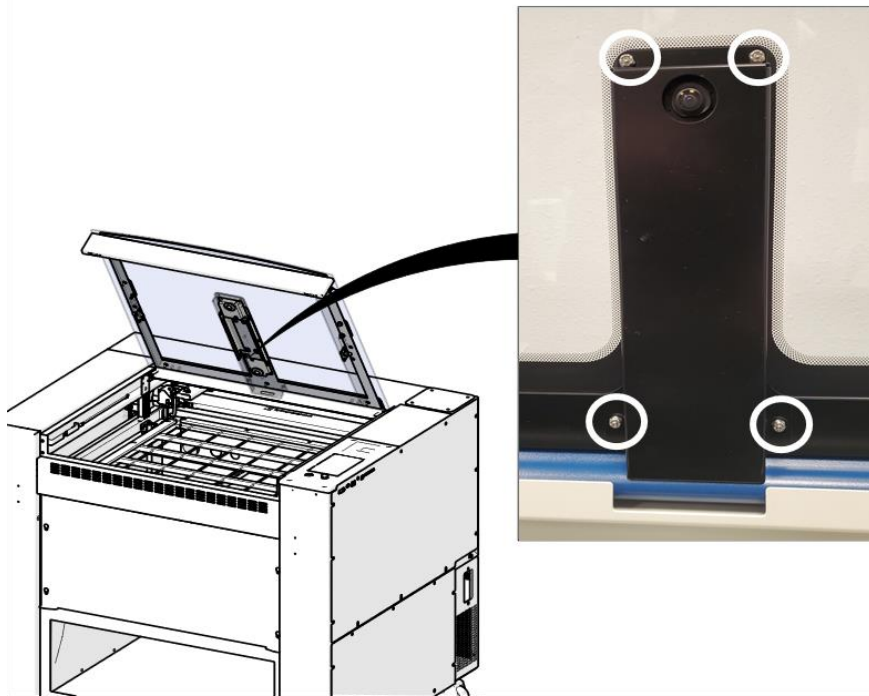
5. Remove:

 5/32

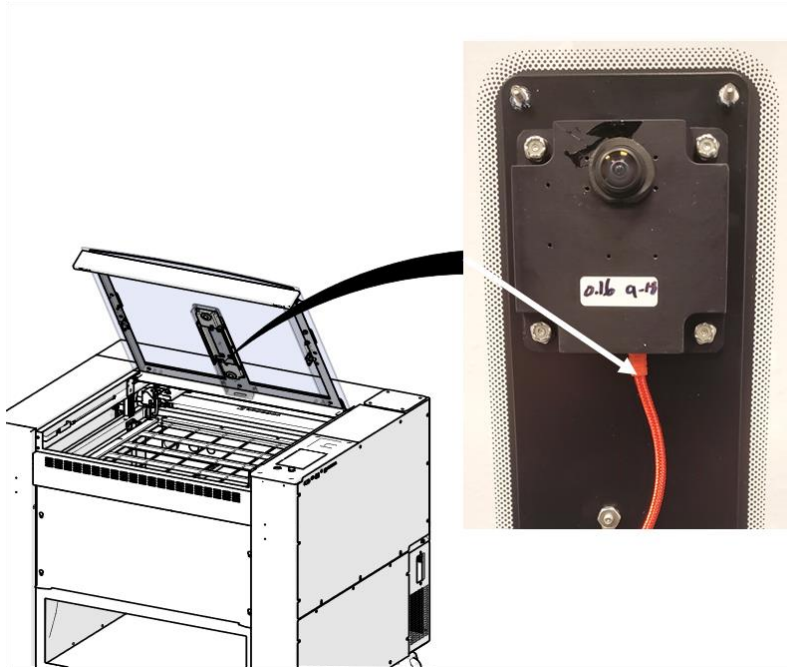


6. Remove:

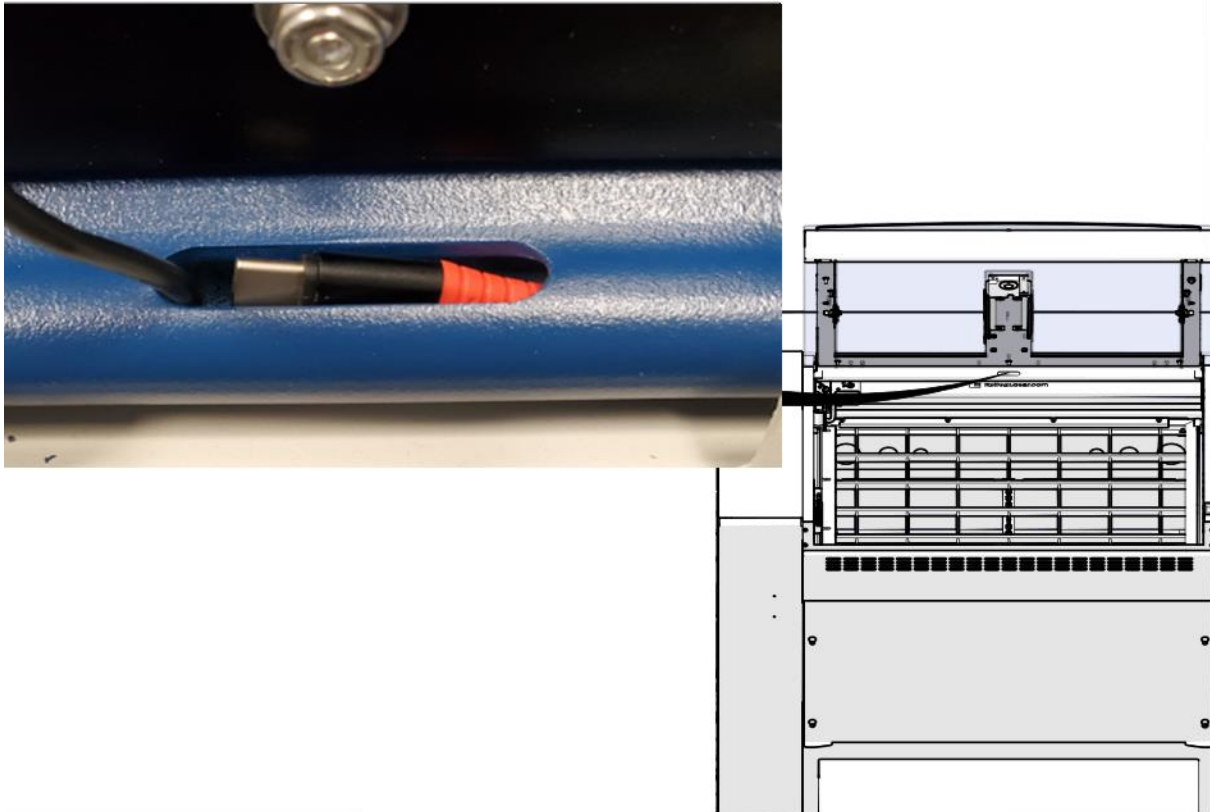
5/16



7. Disconnect:

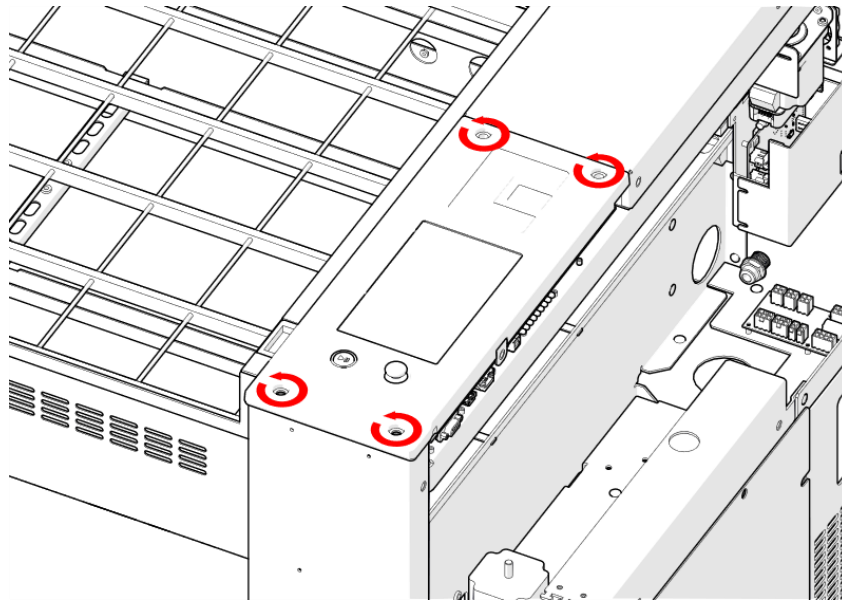


8. Push USB Cable into slot

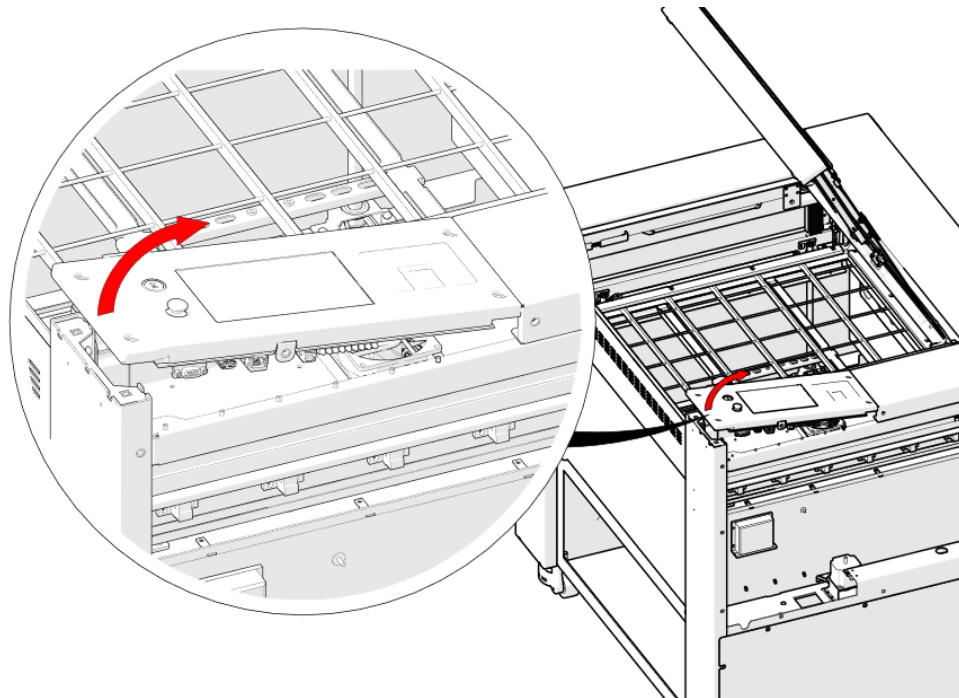


9. Remove:

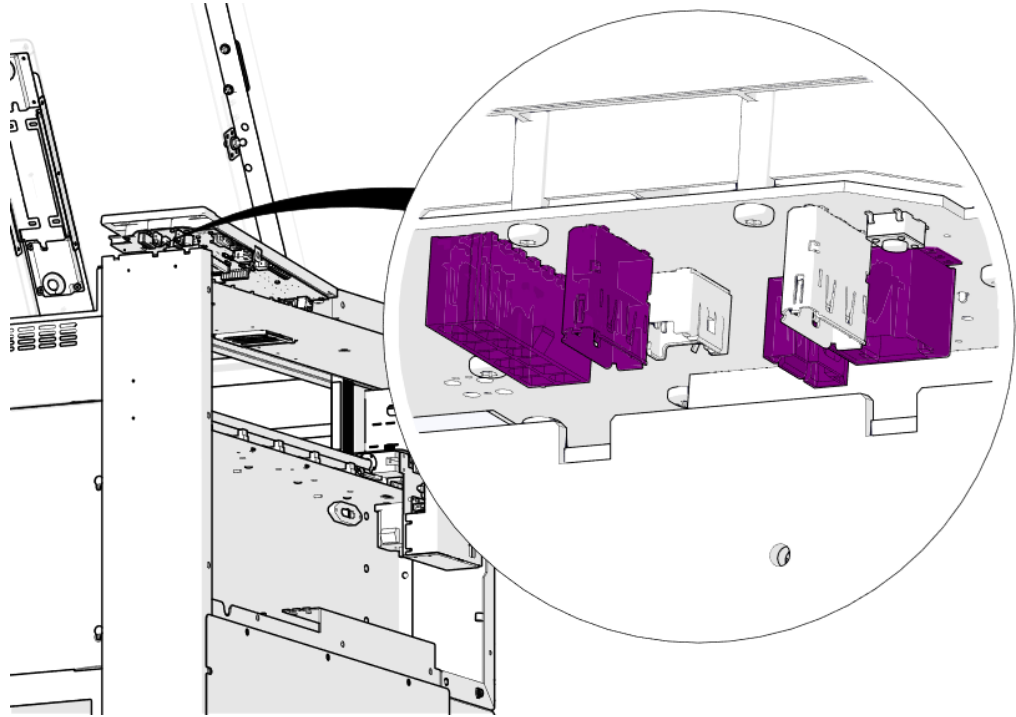
5/32



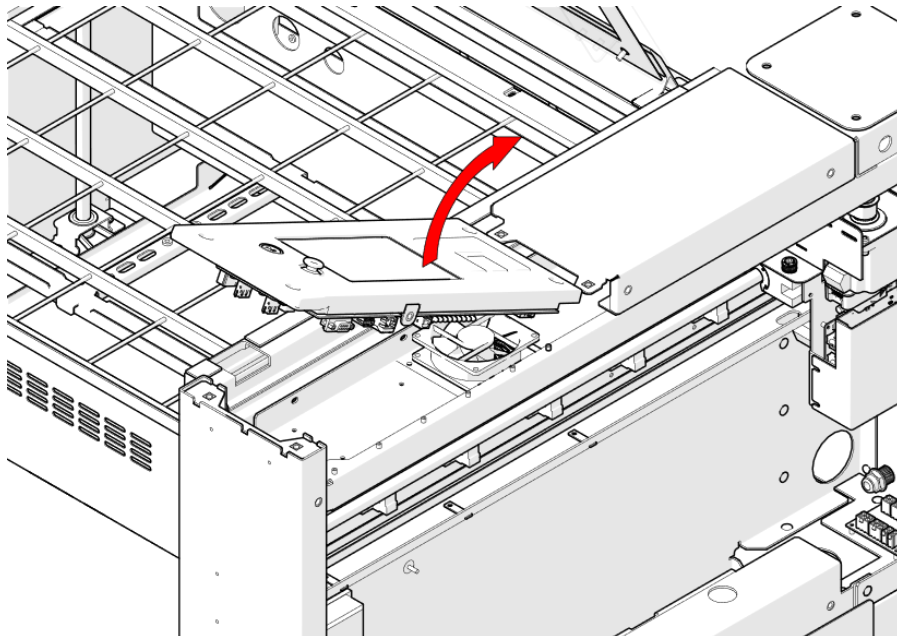
10. Raise:



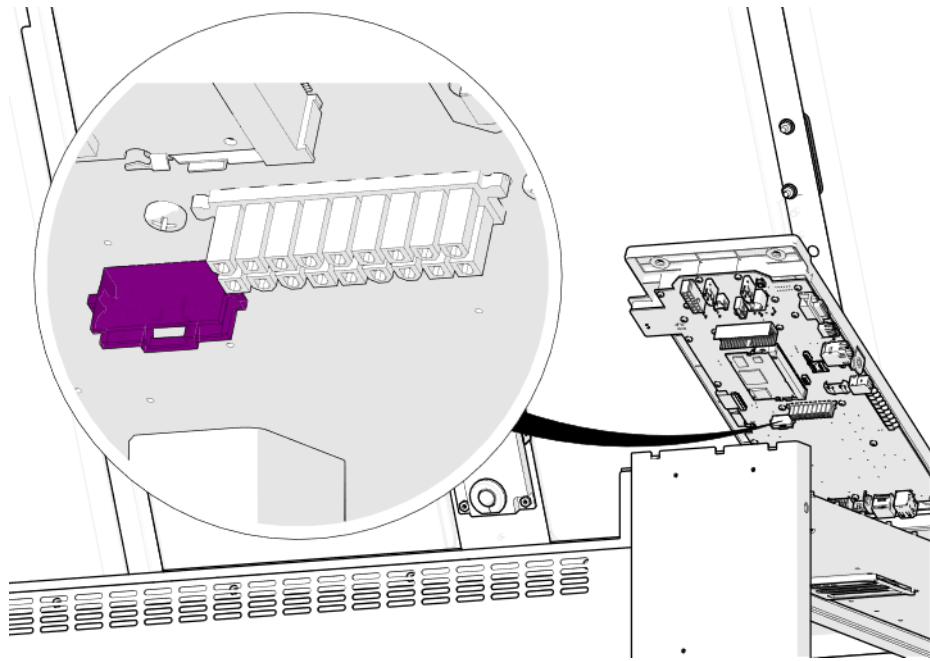
11. Disconnect front harnesses:



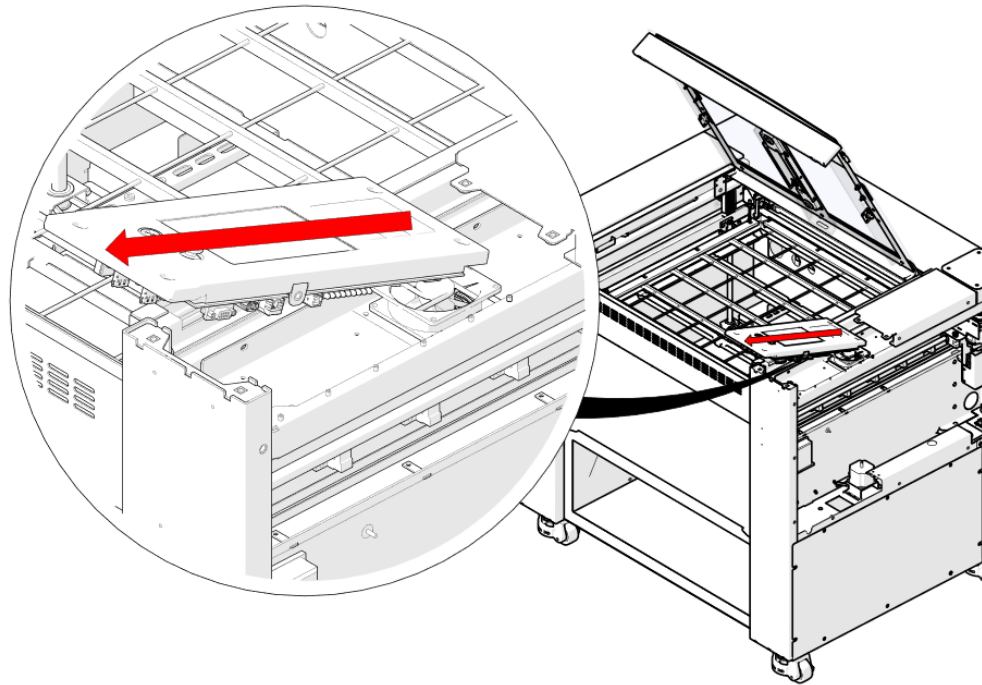
12. Raise:



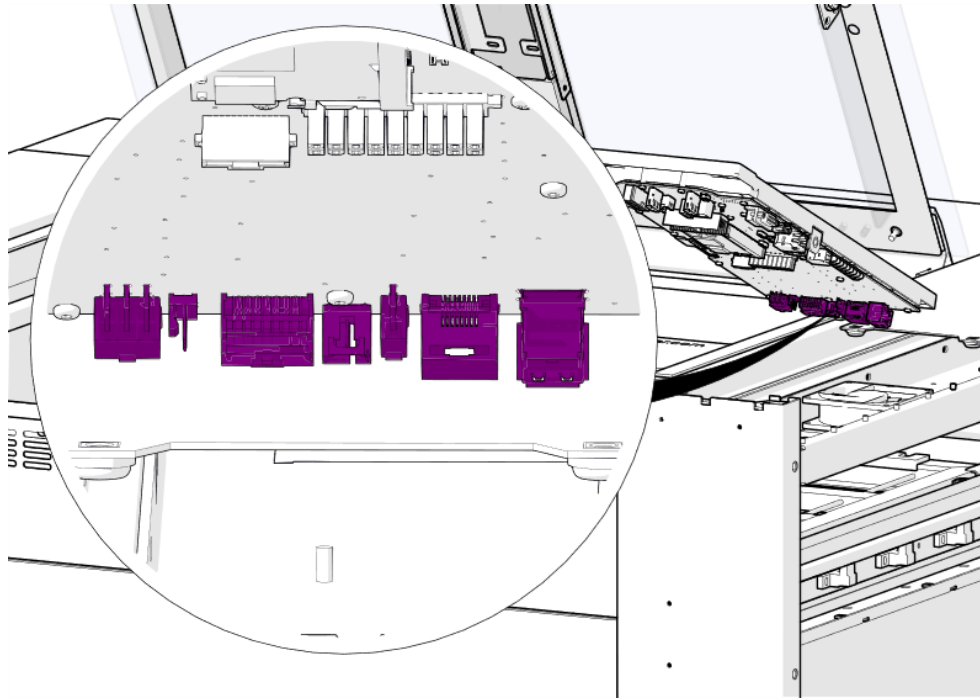
13. Disconnect ribbon cable:



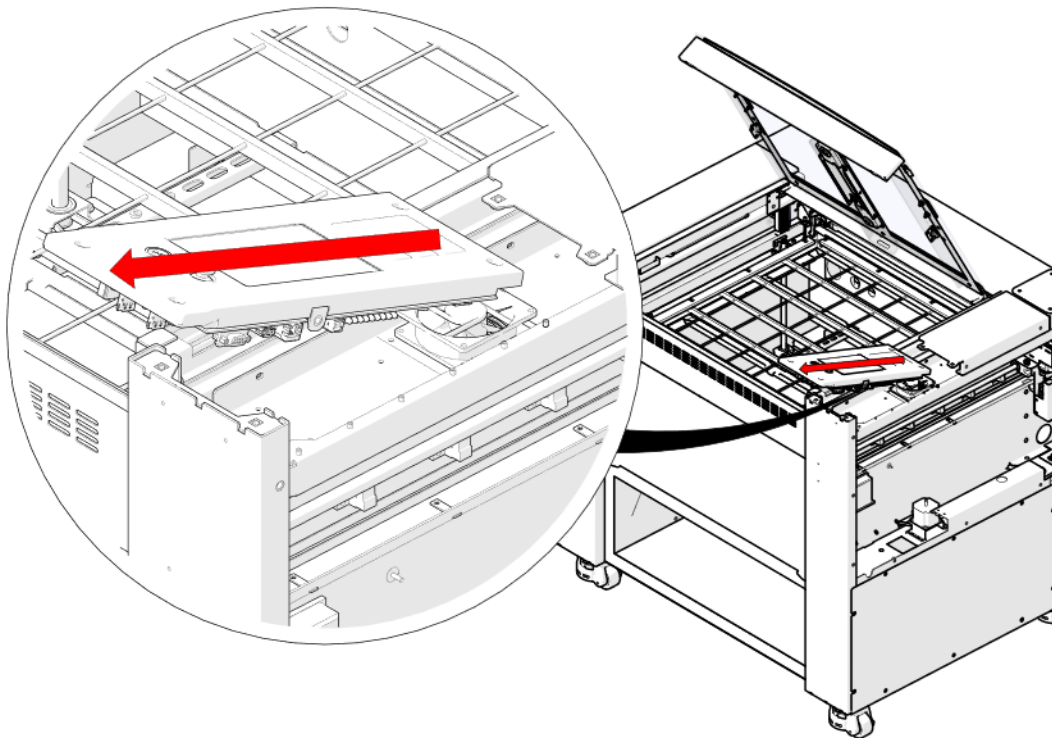
14. Raise and move forward:



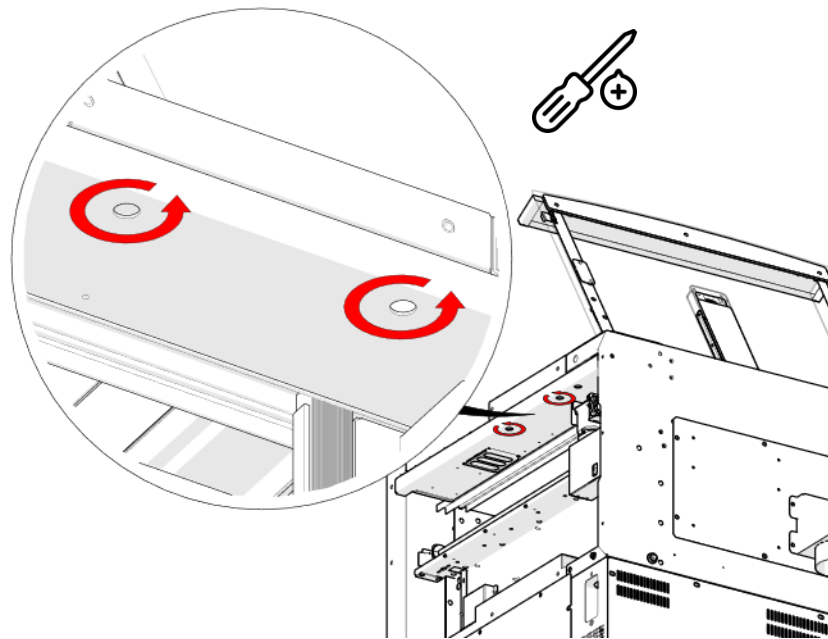
15. Disconnect rear harnesses:



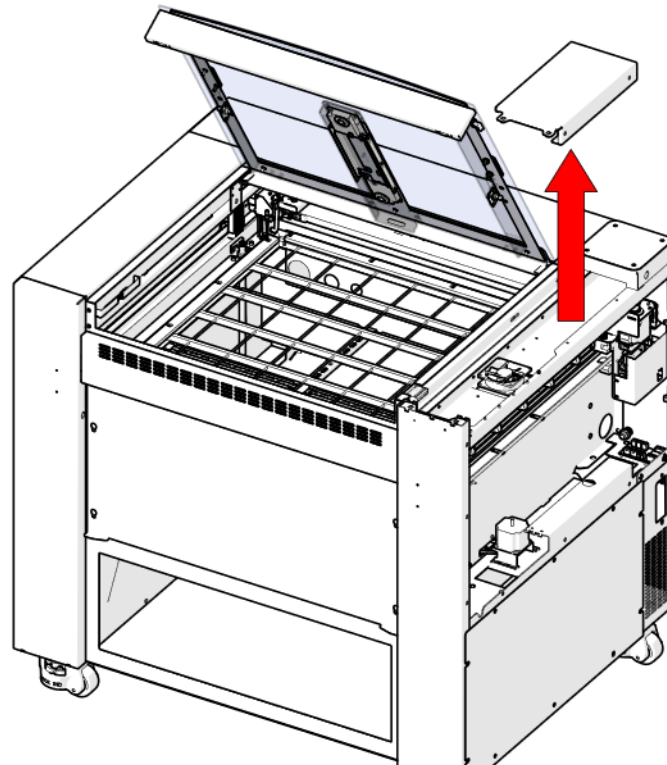
16. Remove:



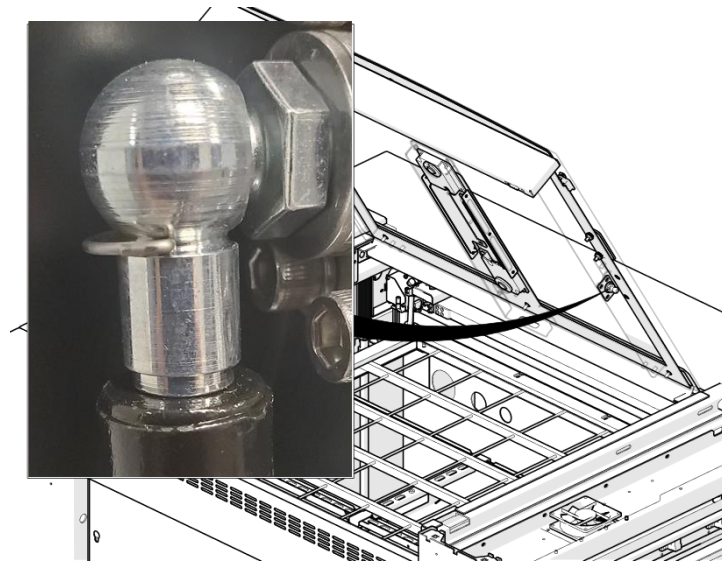
17. Remove:



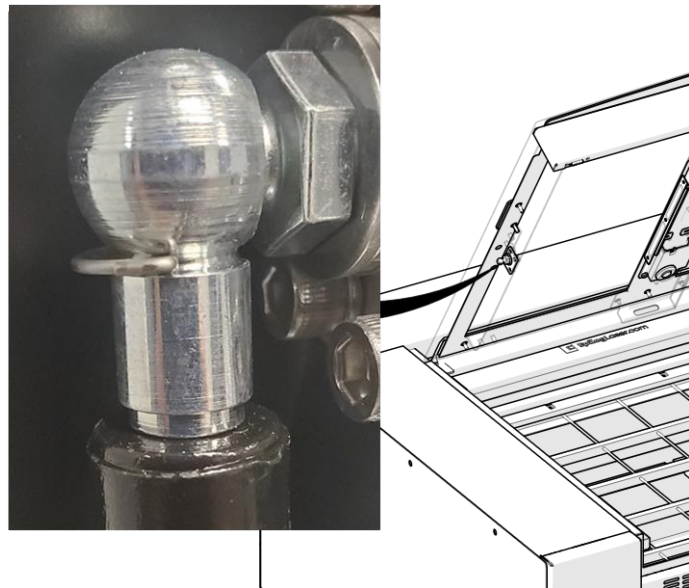
18. Remove:



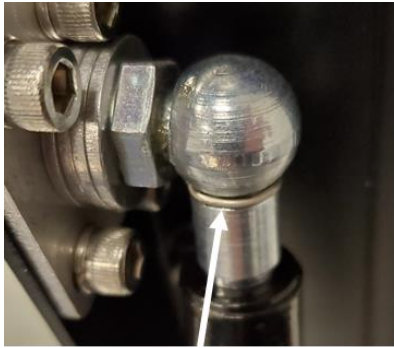
19. Locate Right:



20. Locate Left:



21. Remove from left and right:



Find



Rotate

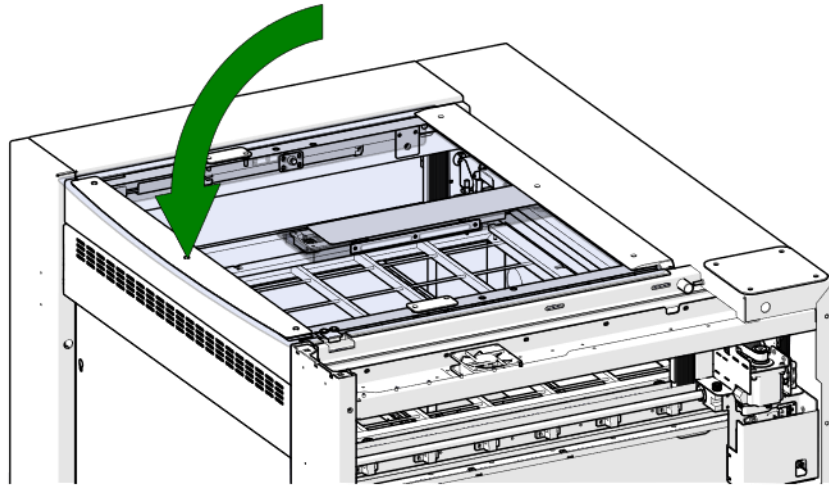


Pull down

22. Remove from left and right:

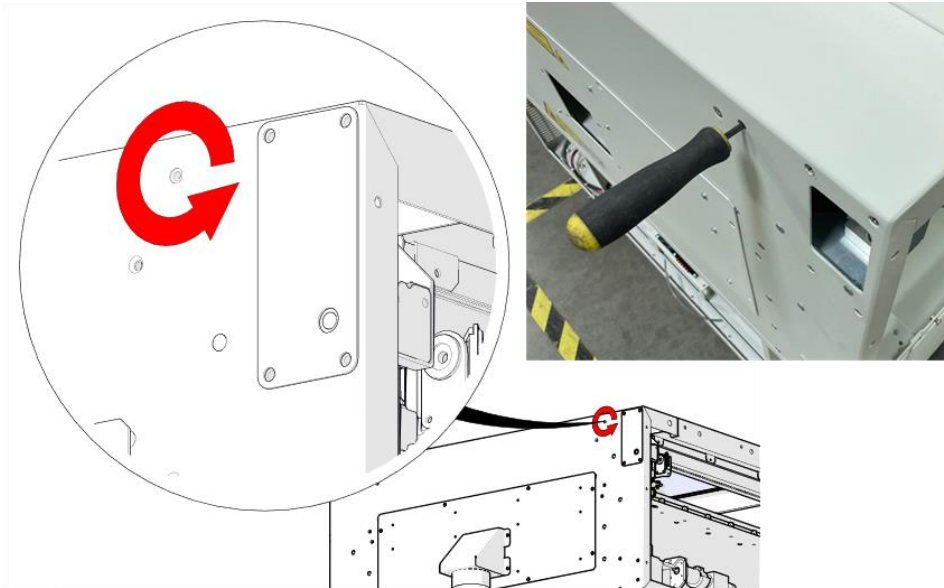


23. Close carefully:

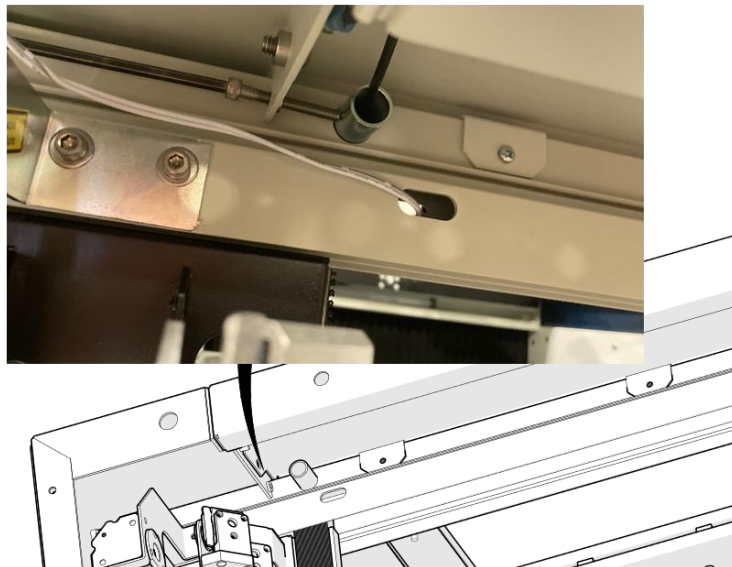


24. Loosen:

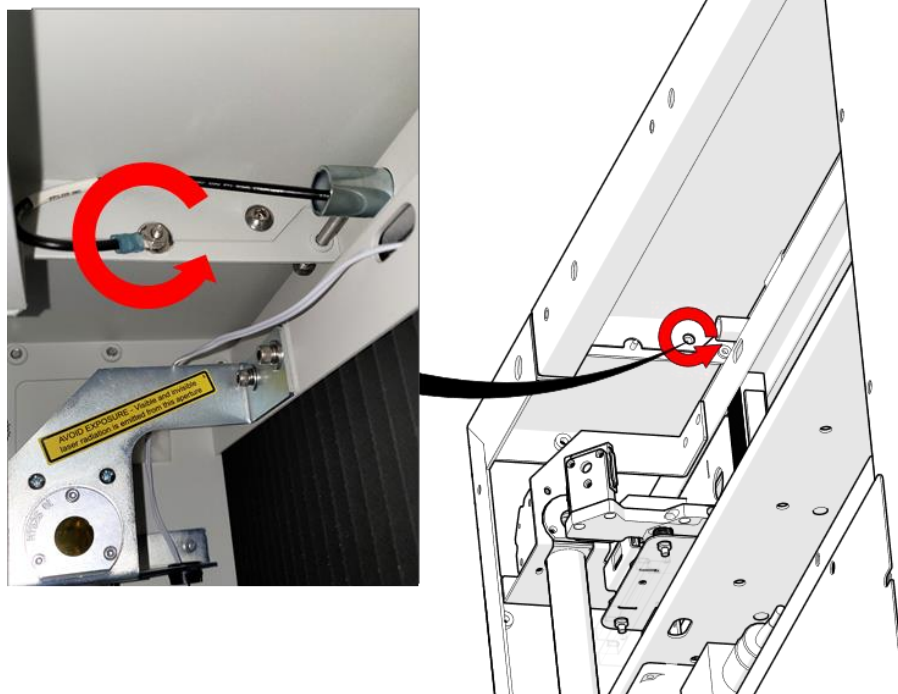
5/32



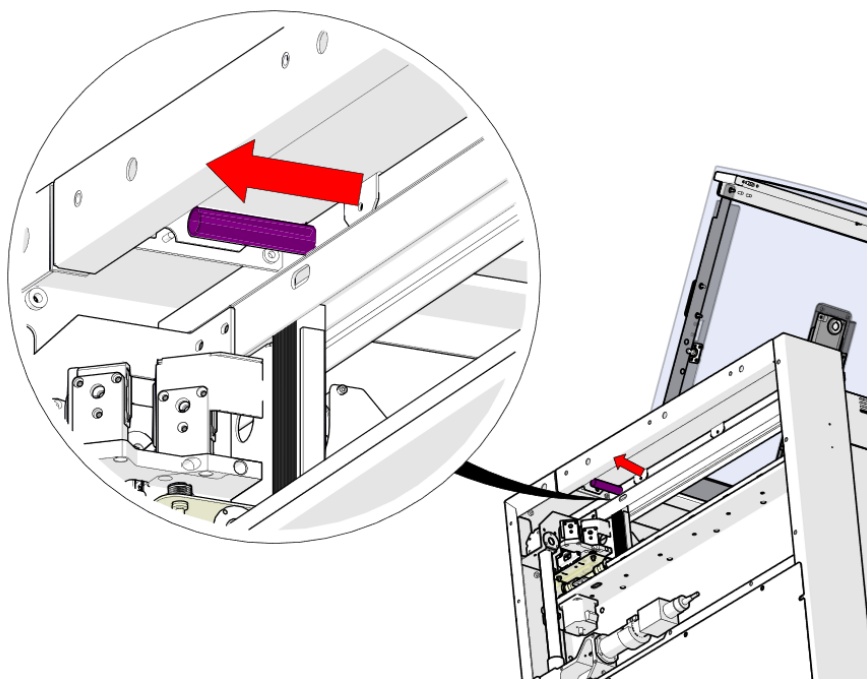
25. Inspect



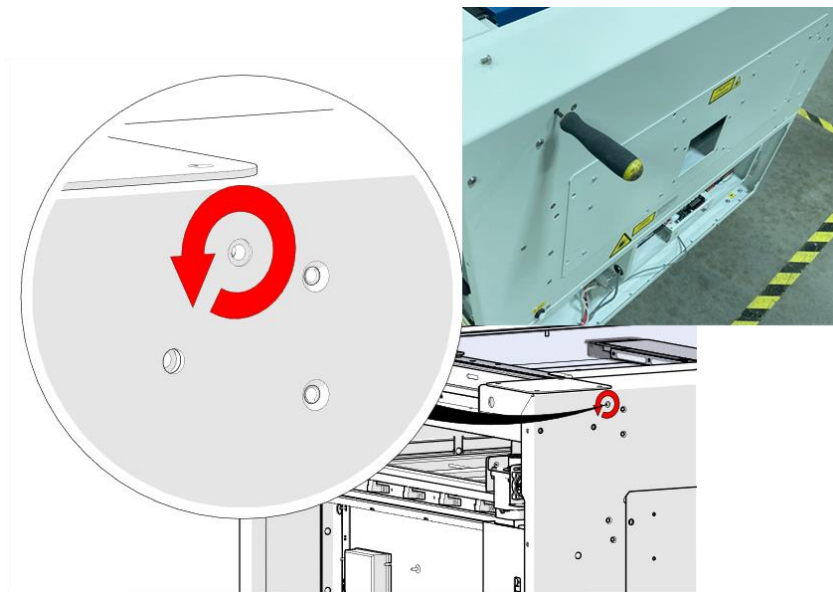
26. Disconnect



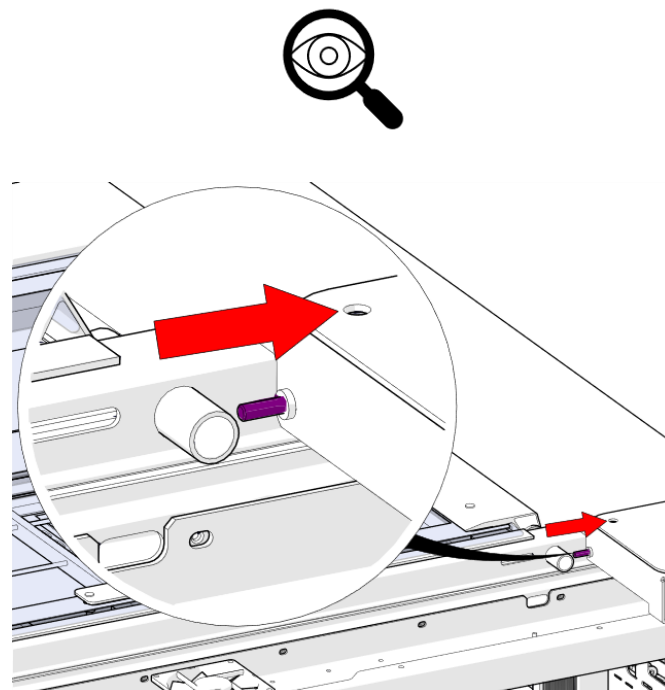
27. Move to clear door:



28. Loosen:



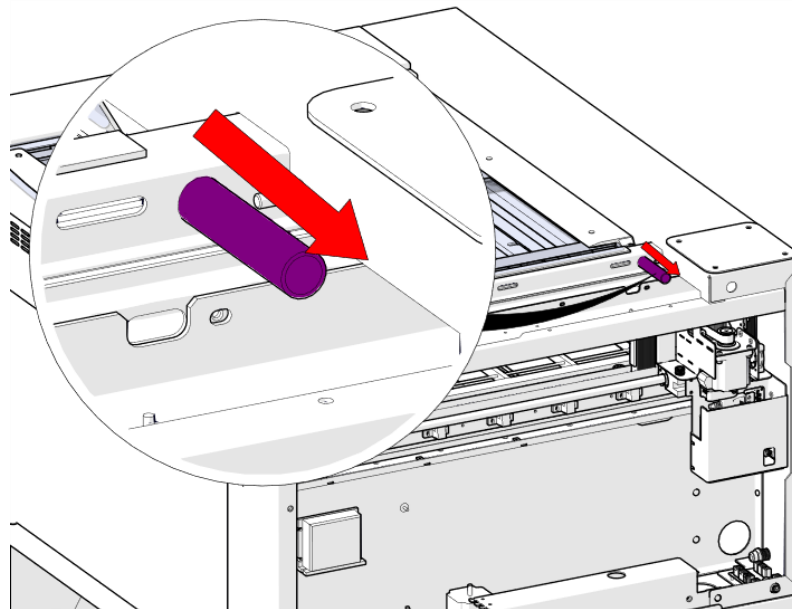
29. Inspect



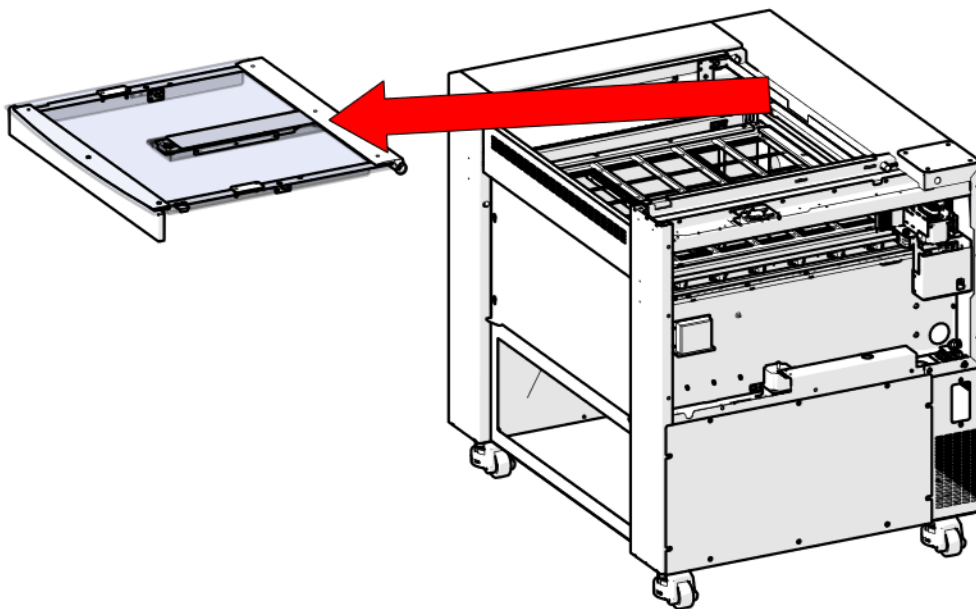
30. Remove:



31. Move to clear door:

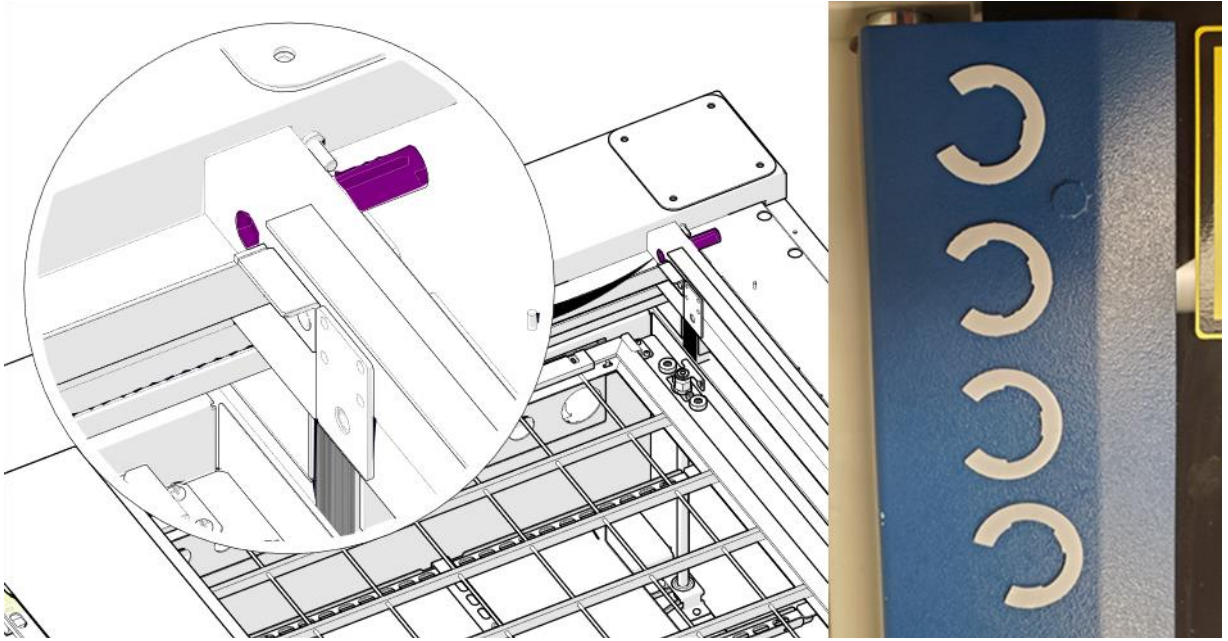


32. Remove

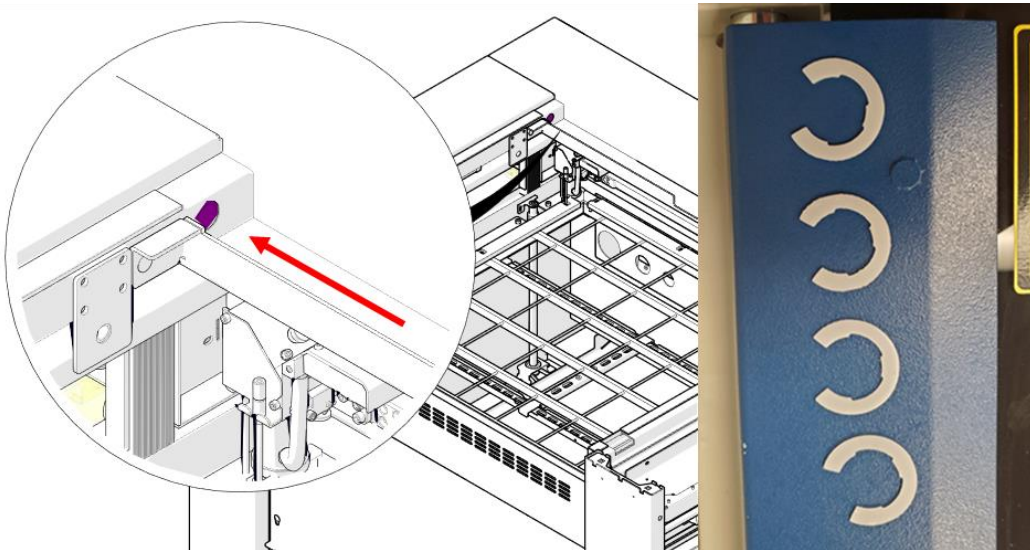


33. Collect:





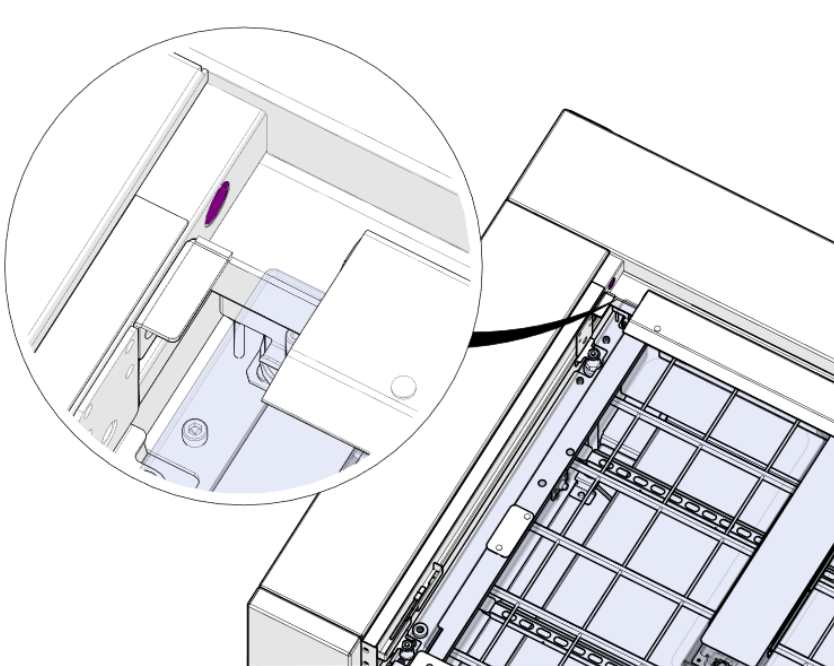
34. Collect:



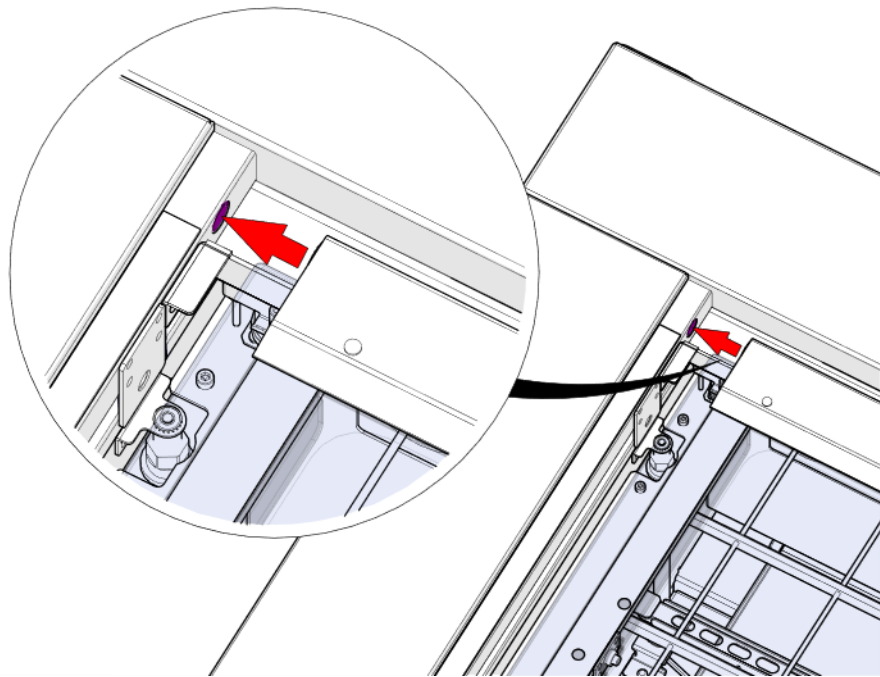


Top Door Installation

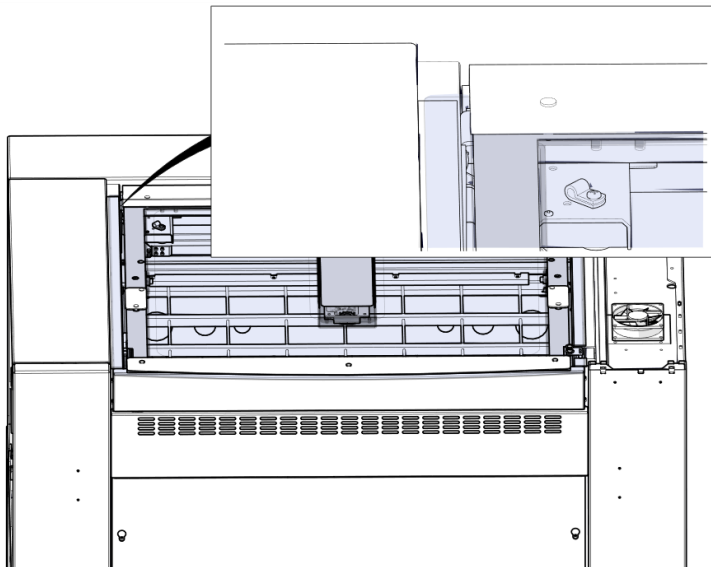
1. Position top door:



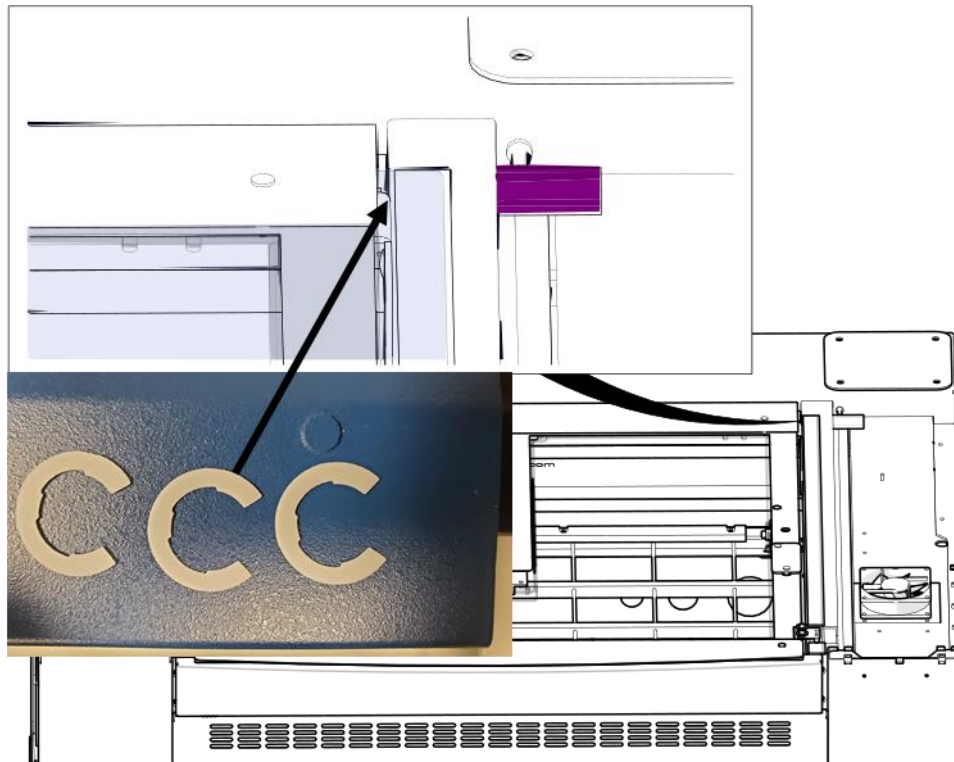
2. Pass Ground Wire:



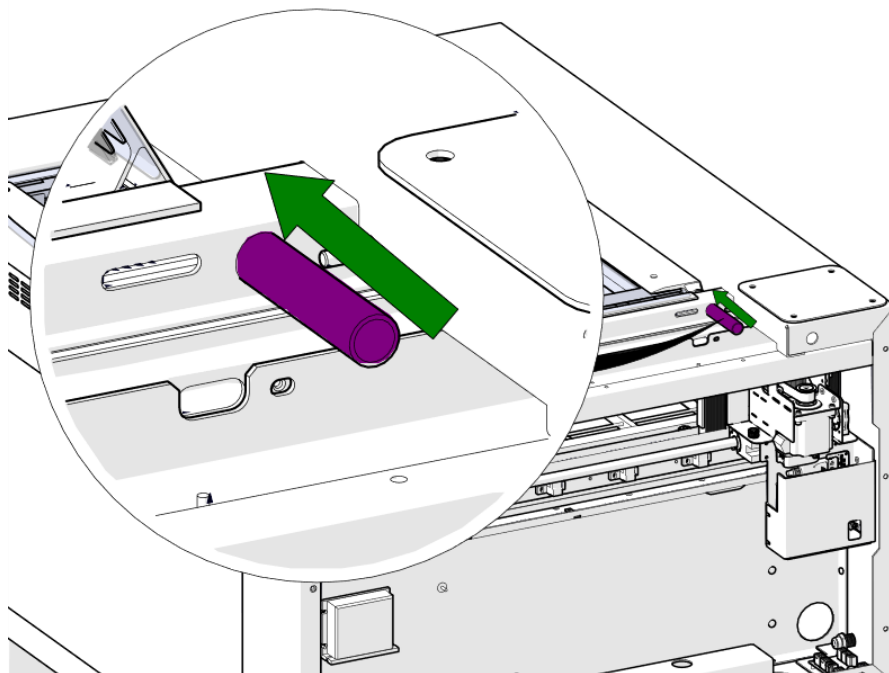
3. Position:



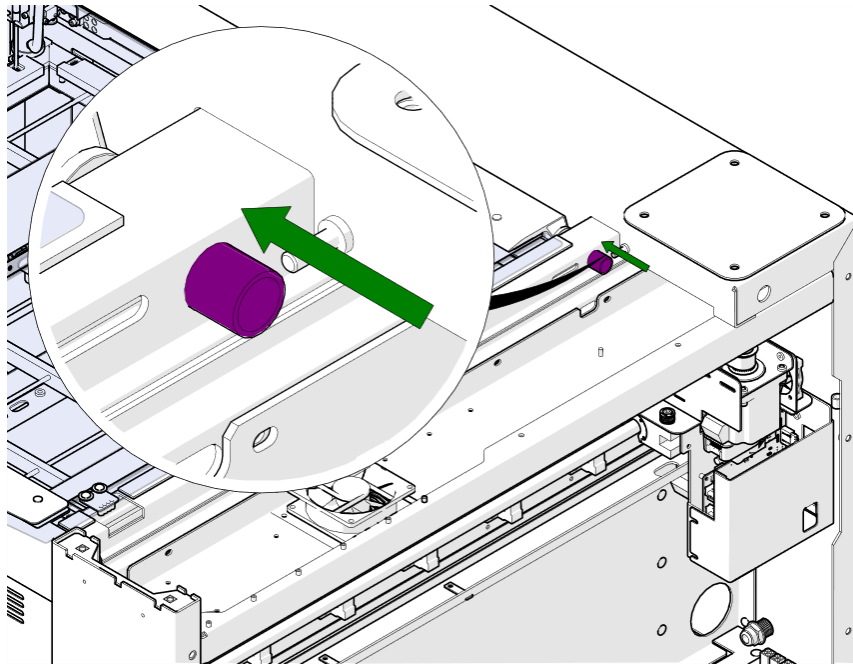
4. Install:



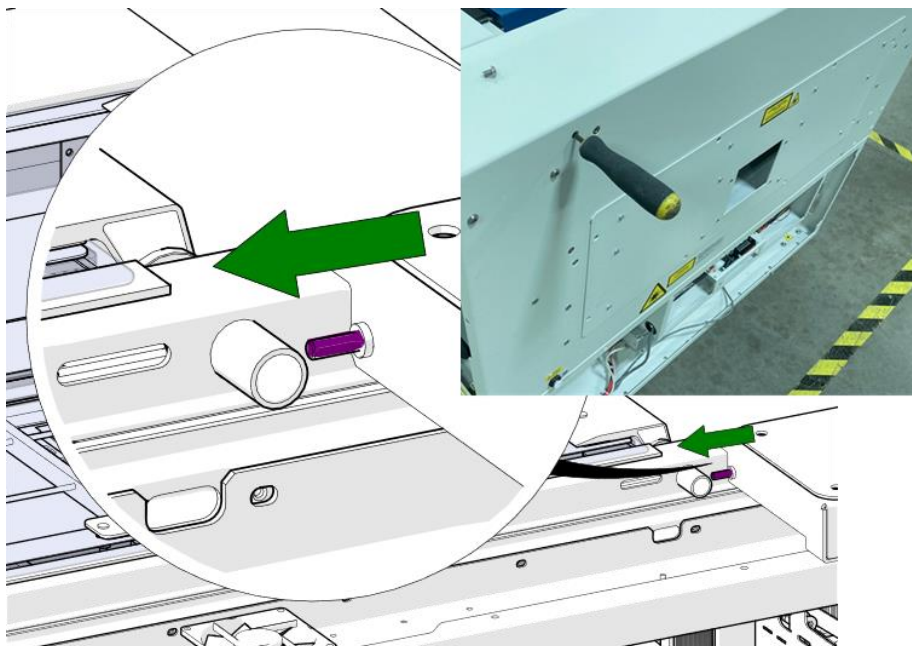
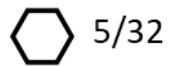
5. Install:



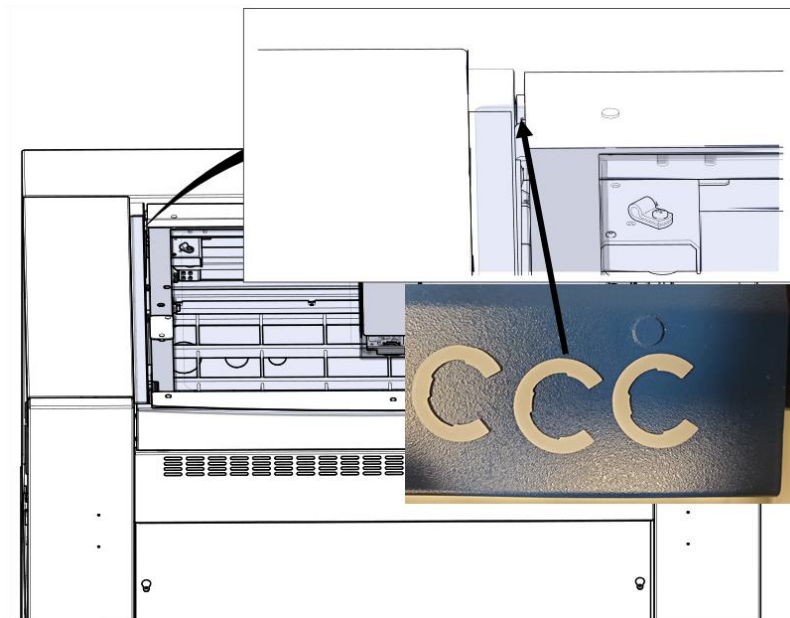
6. Inspect:



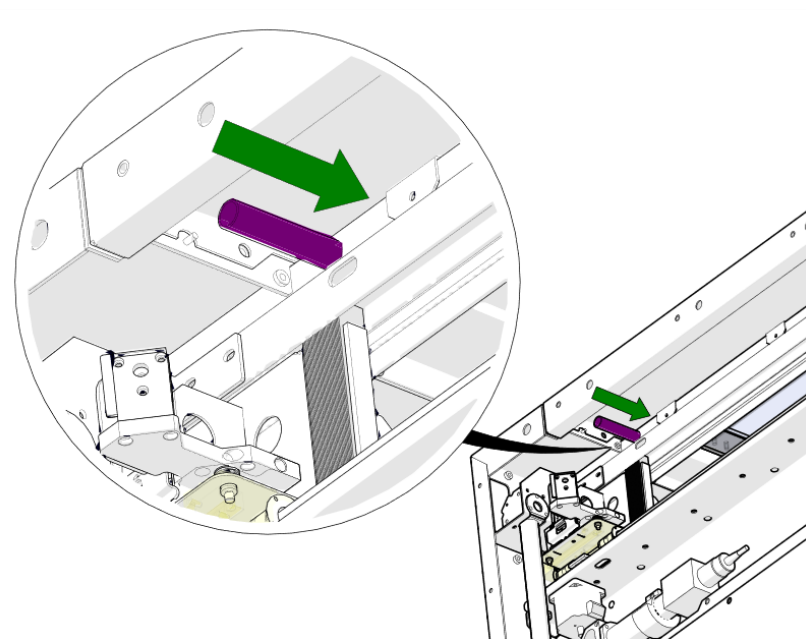
7. Tighten:



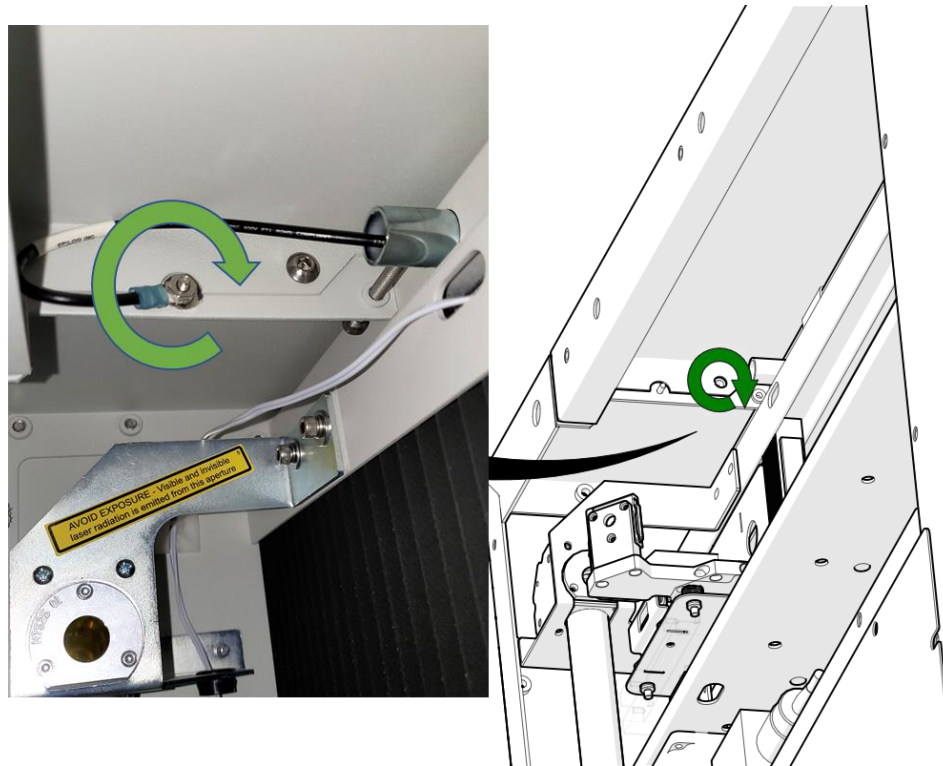
8. Install:



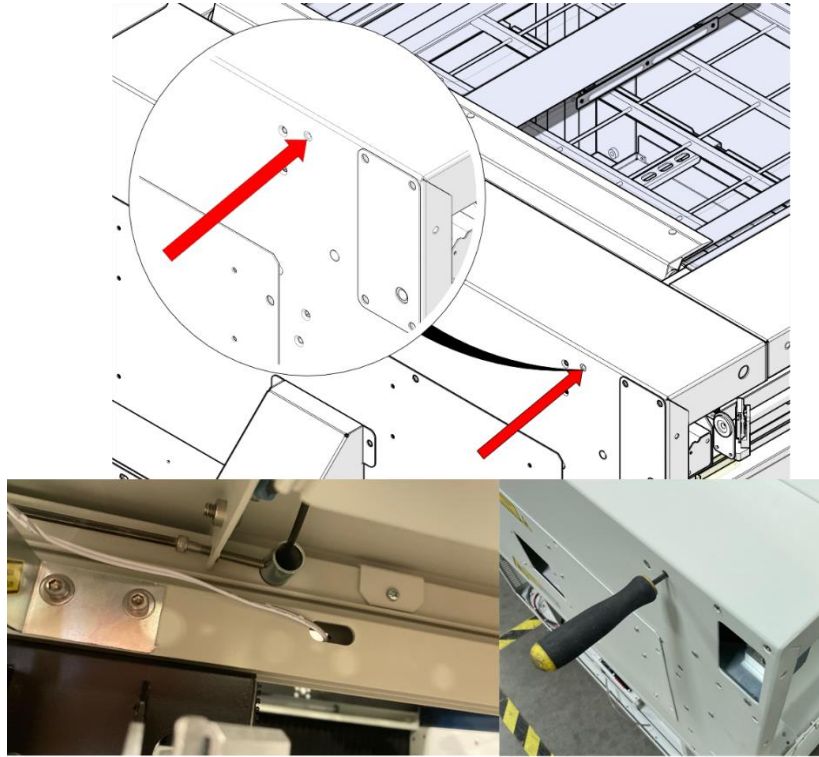
9. Install:



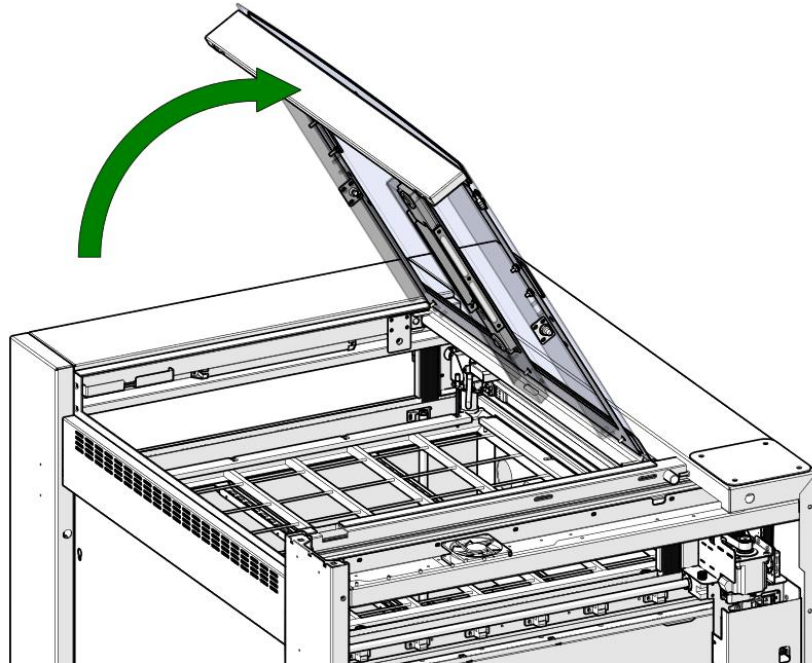
10. Install:



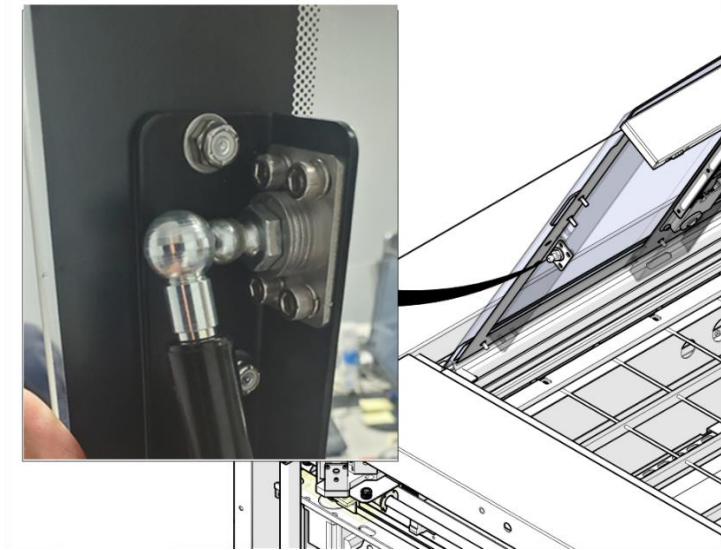
11. Tighten



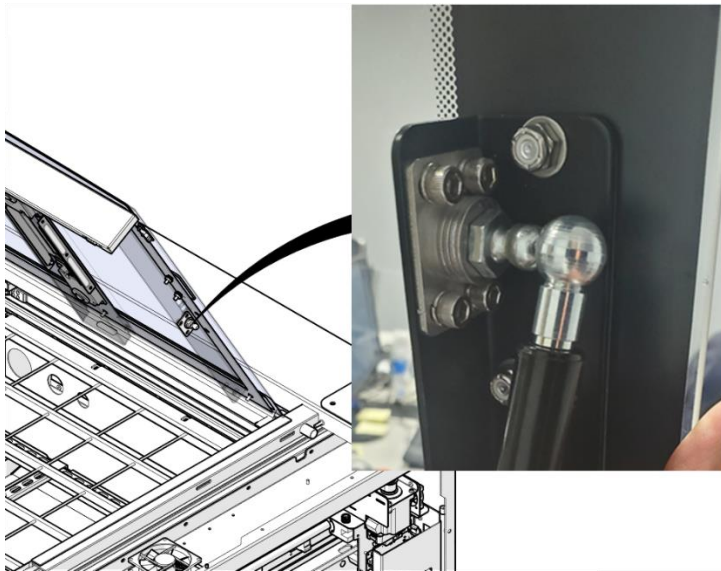
12. Open



13. Install



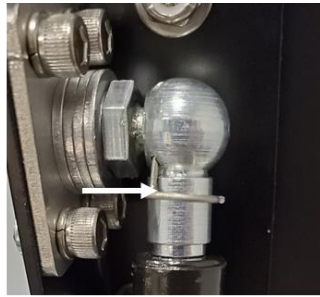
14. Install



15. Install:



Insert



Rotate

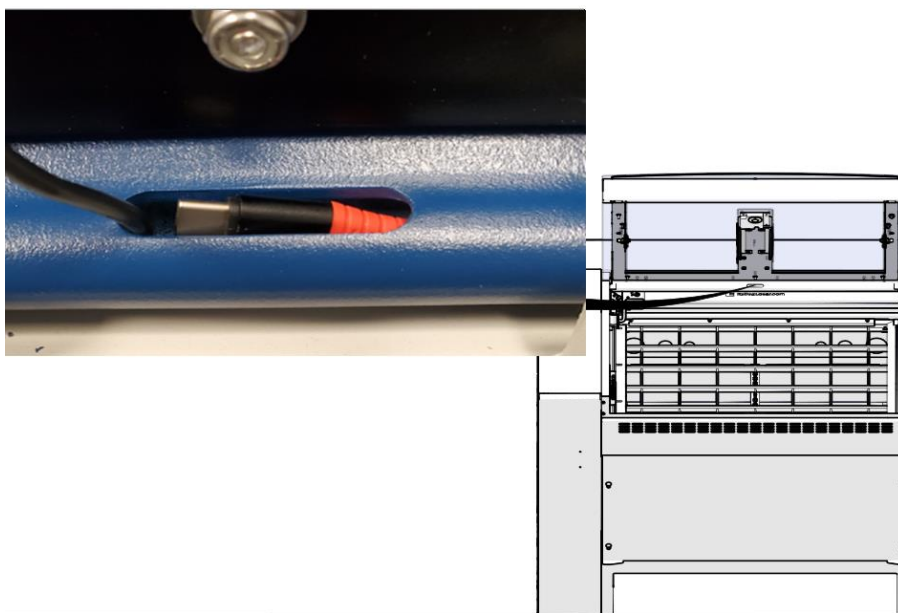


Lock in place

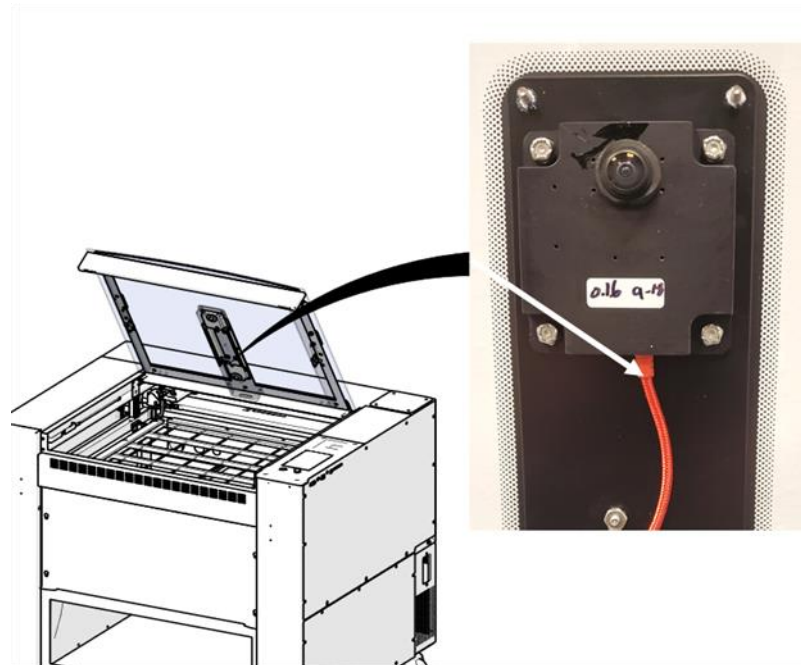
16. Install:



17. Pull through:

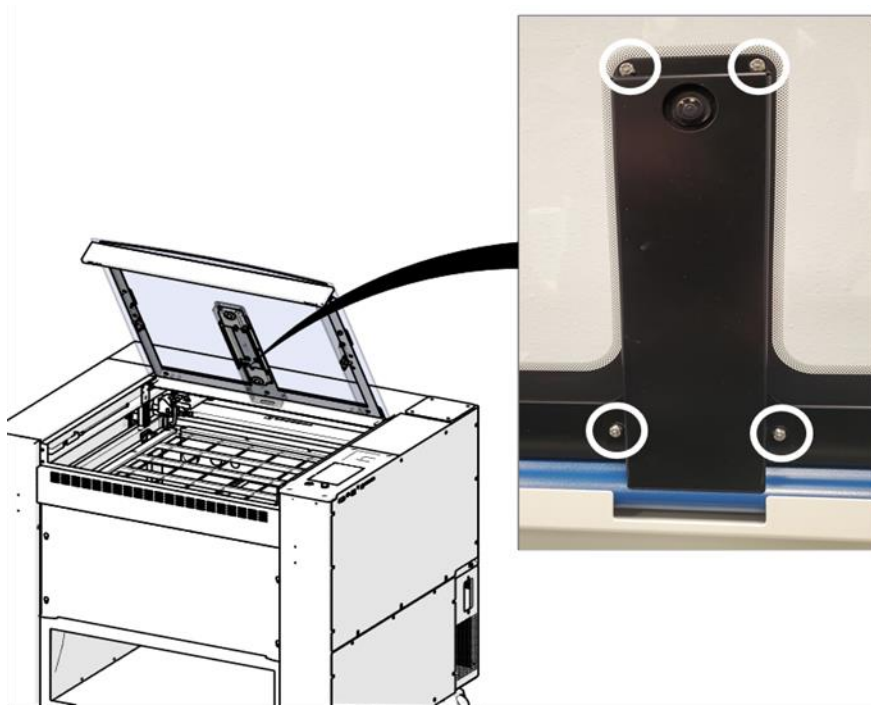


18. Connect:



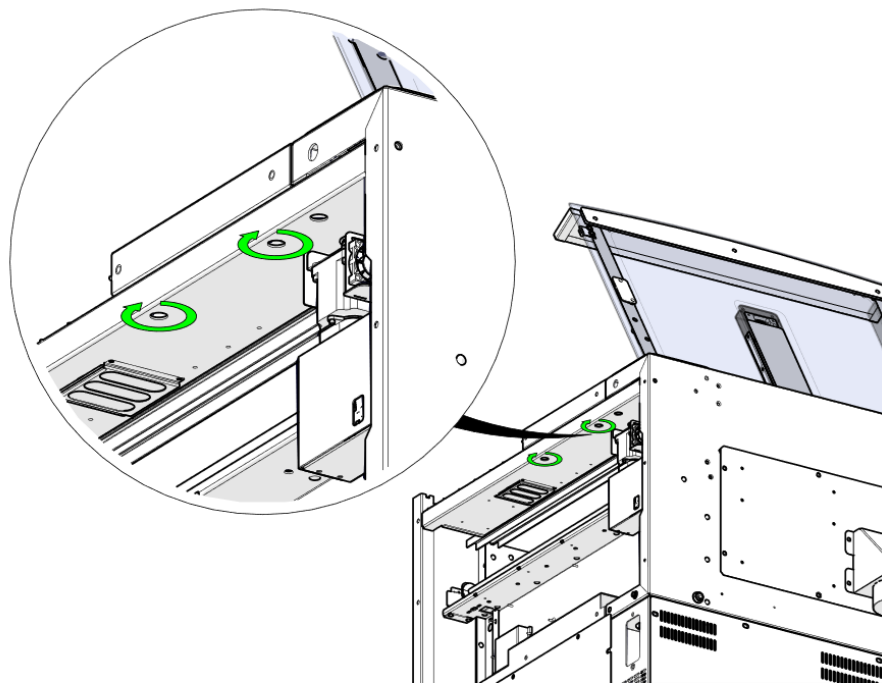
19. Install:

⬡ 5/16

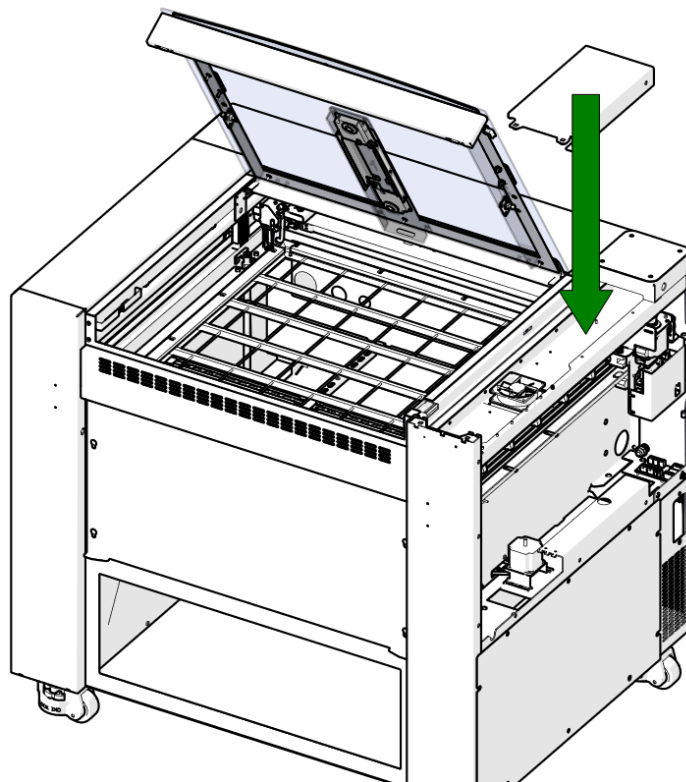


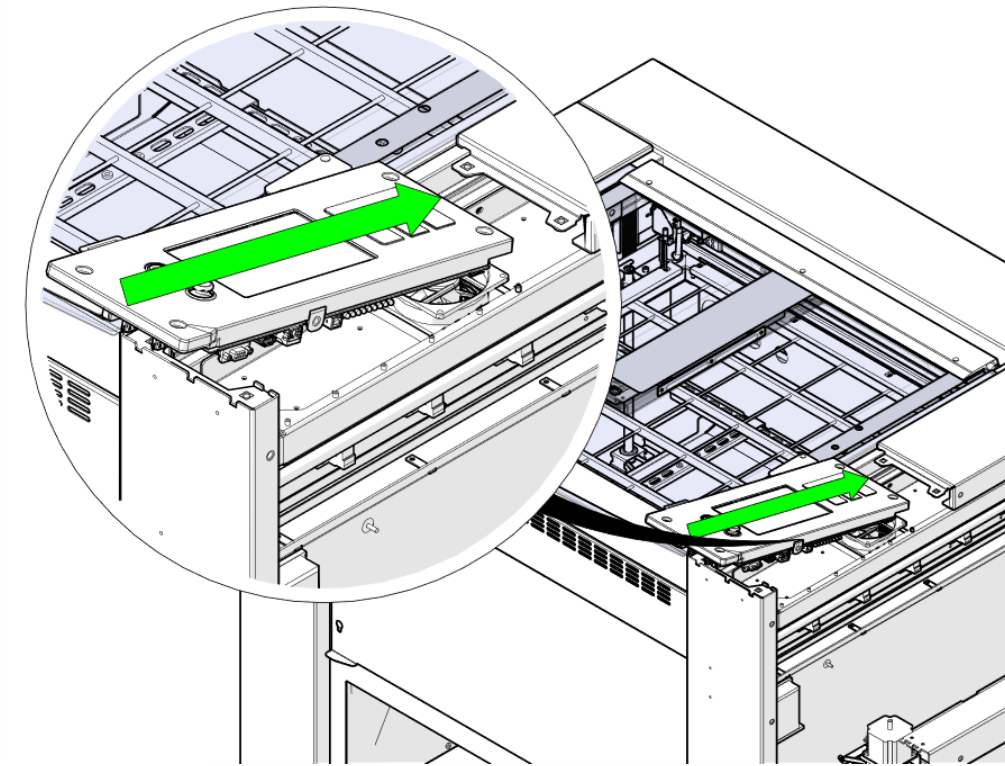
20. Install:

21. Install and tighten:

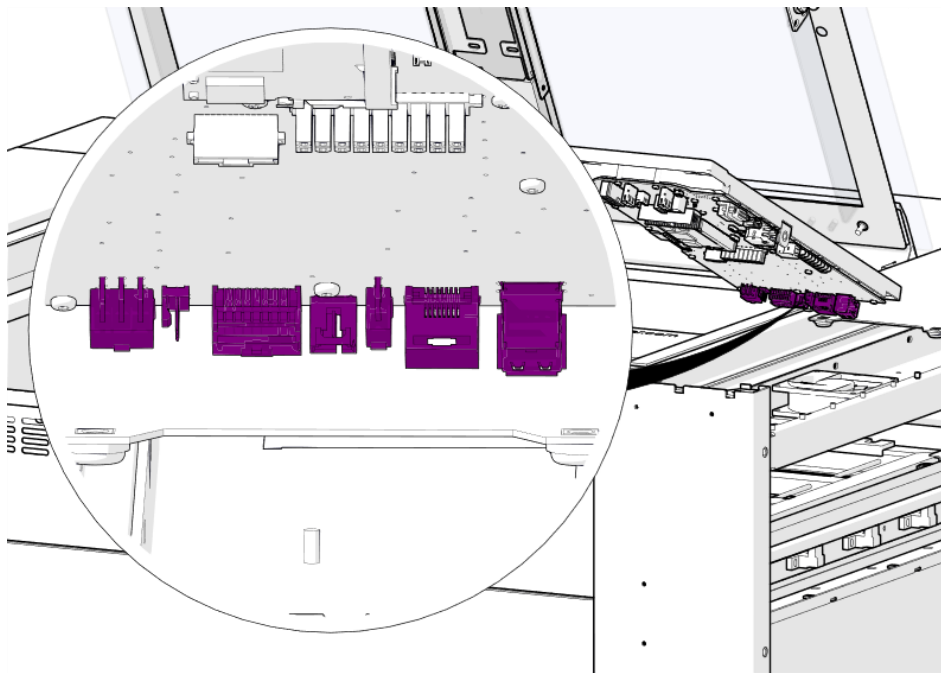


22. Place:

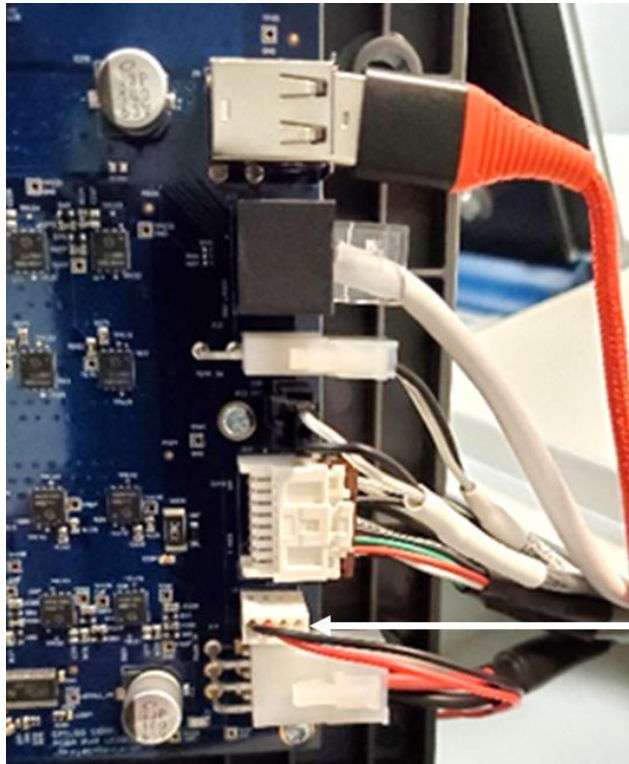




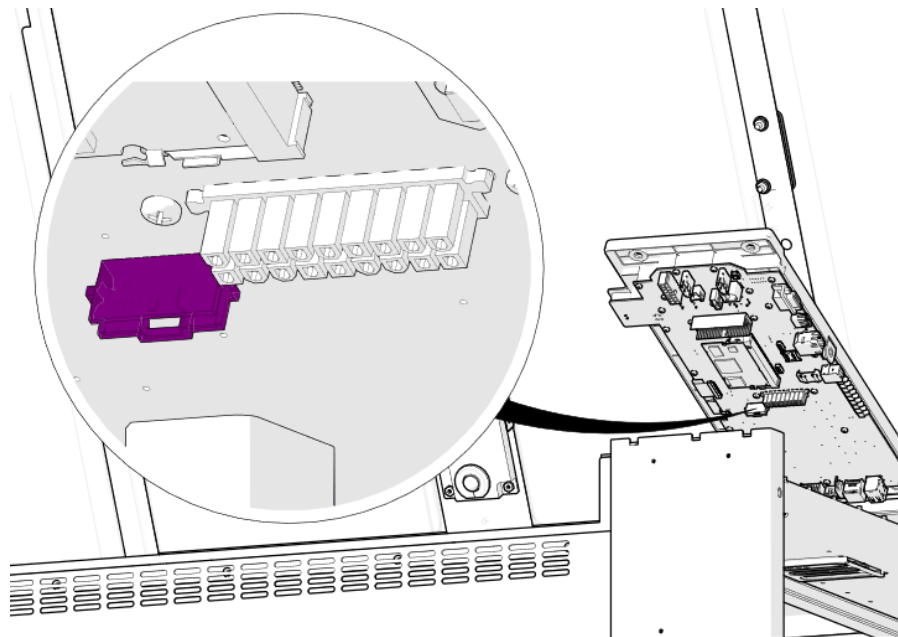
23. Connect:



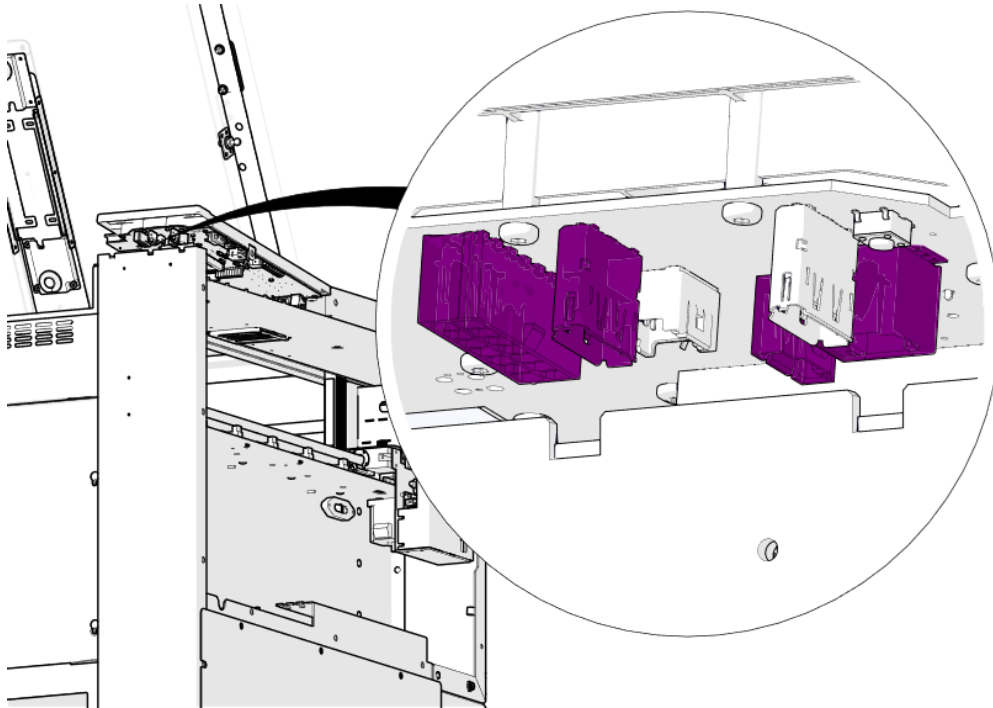
24. Inspect:



25. Connect:

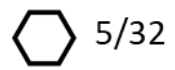


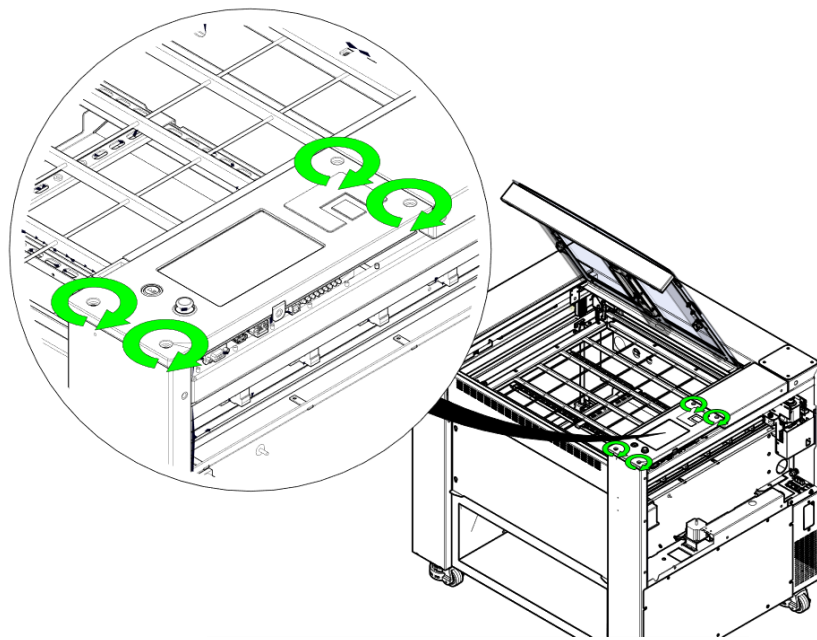
26. Connect:



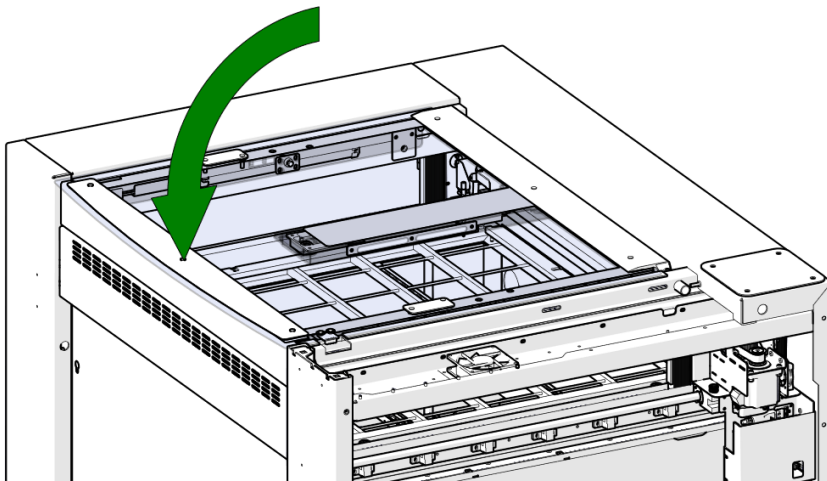
27. Install:

Long screws to rear x 2
Short screws to front x 2

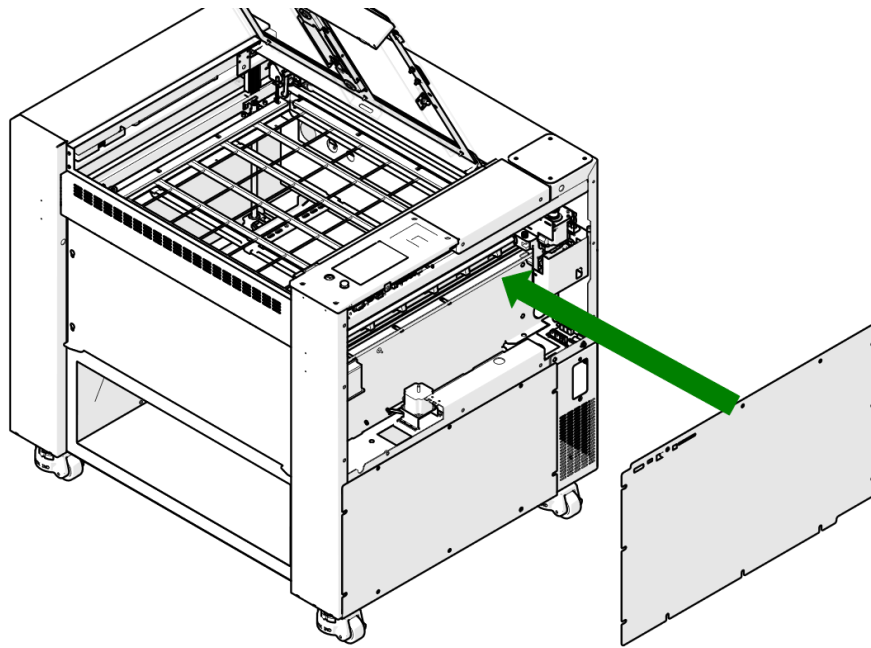




28. Close:



29. Replace:



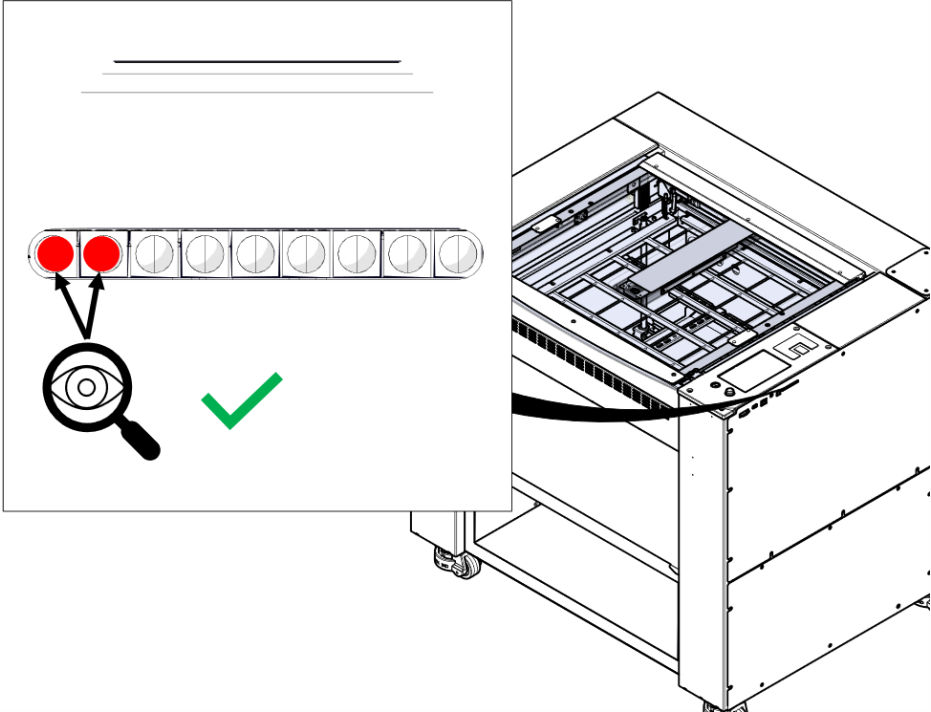
30. Connect:



31. Turn on:



32. Inspect: With door closed:



This concludes the top door replacement procedure.