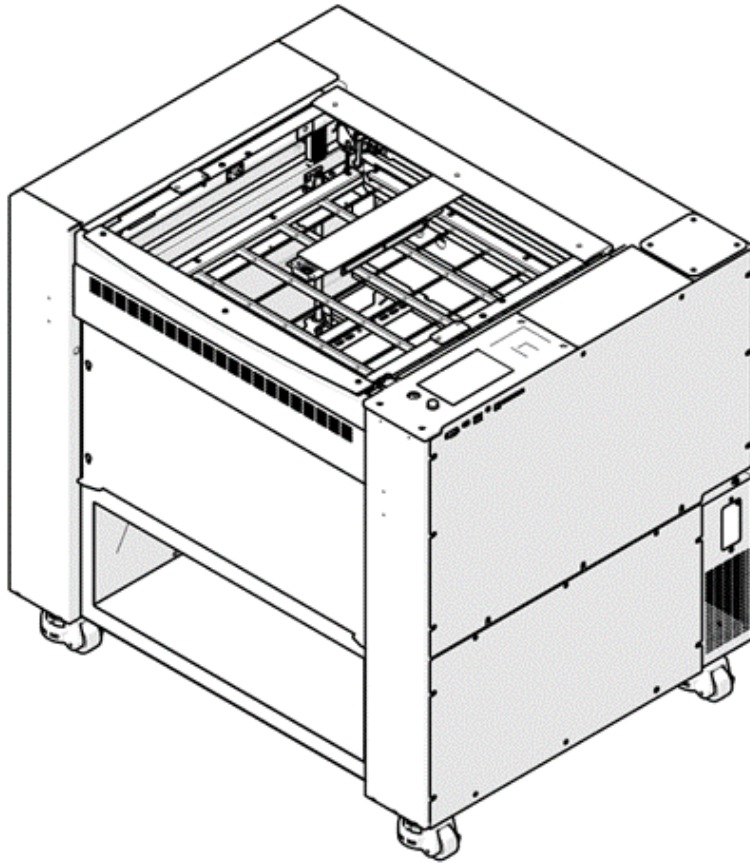
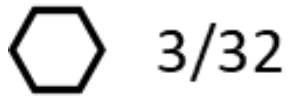


Auto Focus Switch Replacement
Fusion Edge 12, 24, 36 & Fusion Pro 24, 36



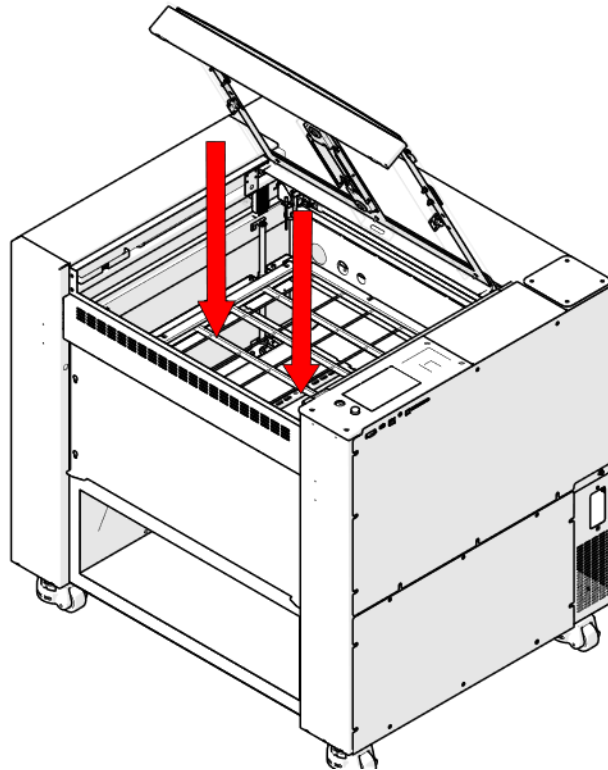
Rev 01
03/30/22

Tools Needed:



Auto Focus Switch Replacement

1. Lower:



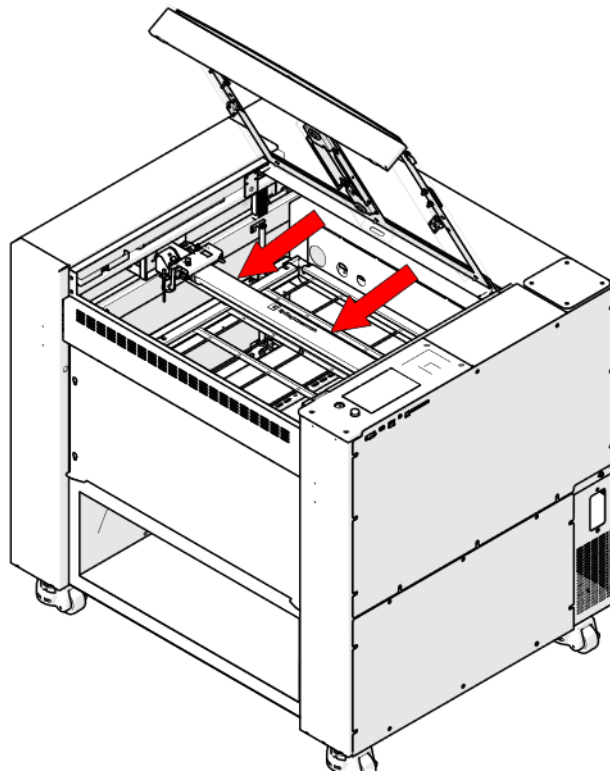
2. Turn off the machine.



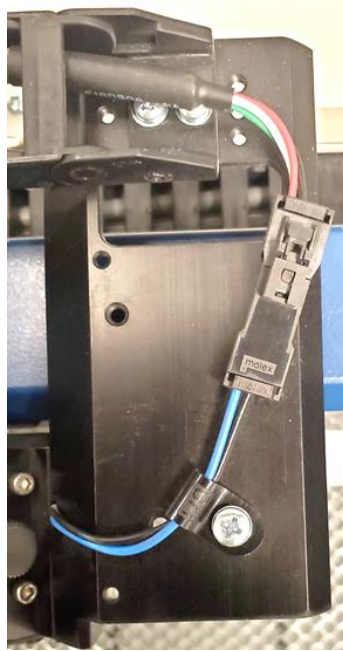
3. Disconnect:



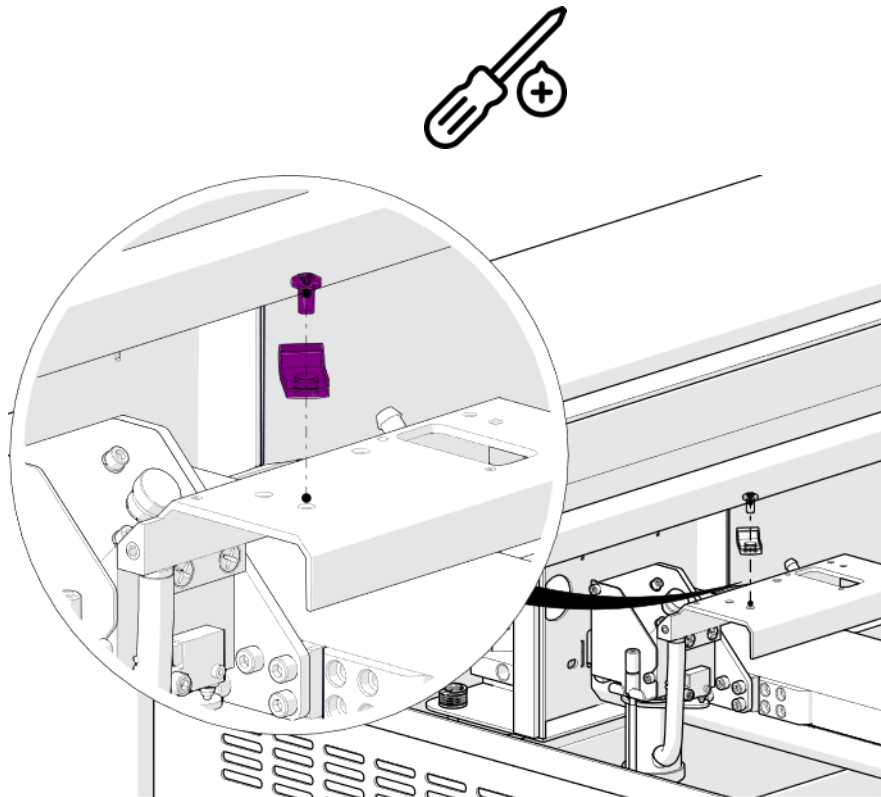
4. Move



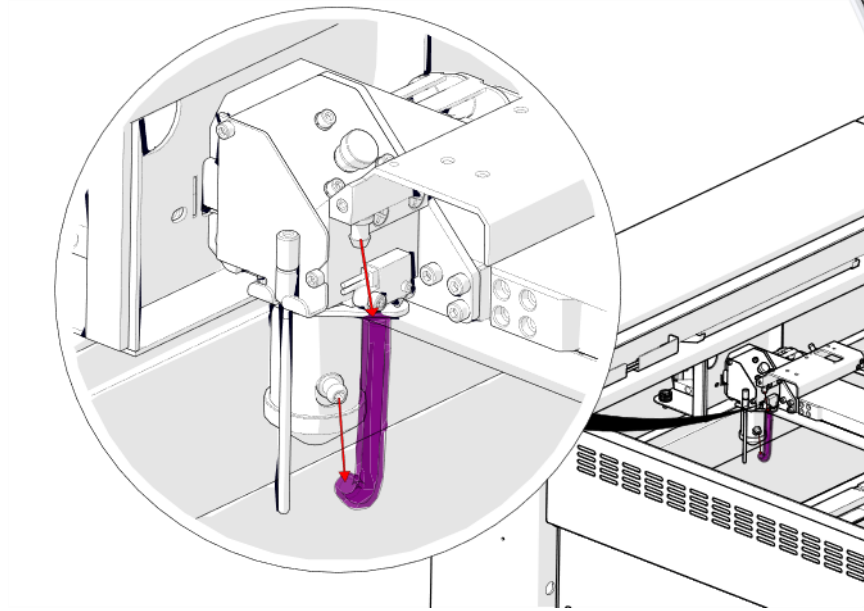
5. Separate:



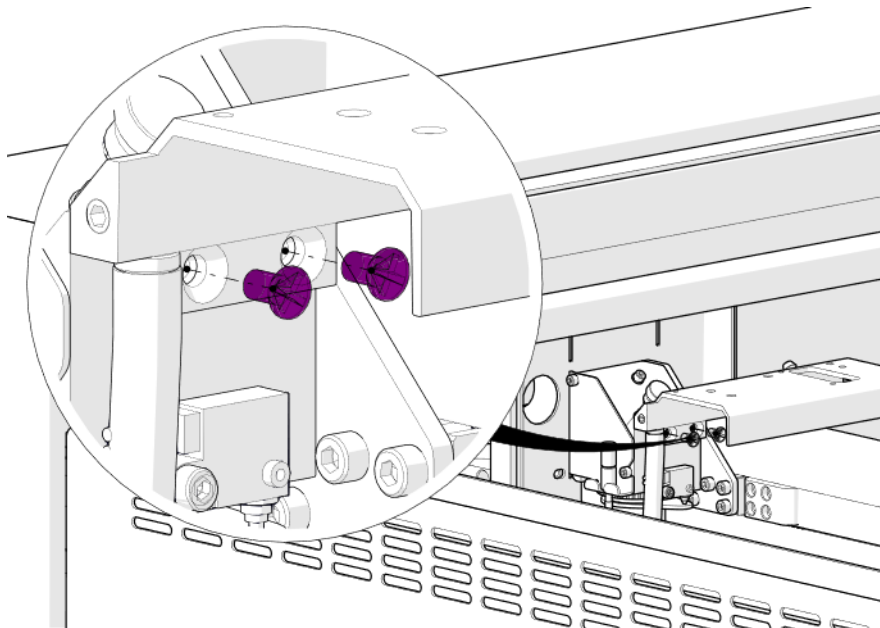
6. Remove



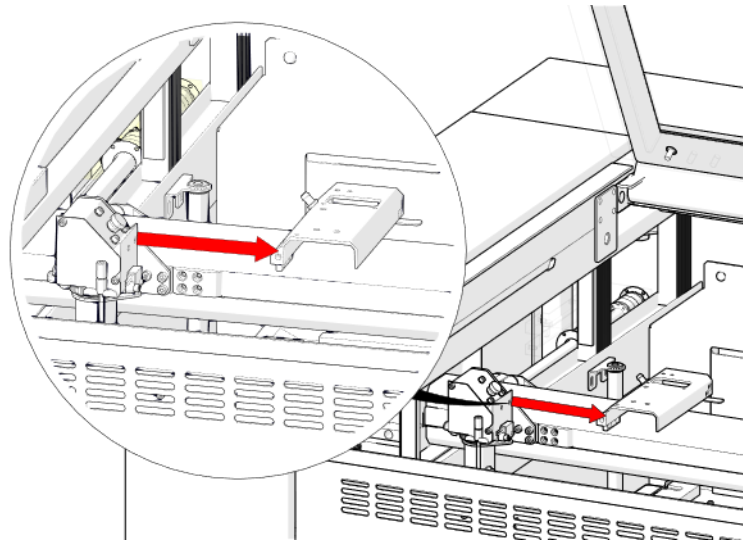
7. Remove:



8. Remove:

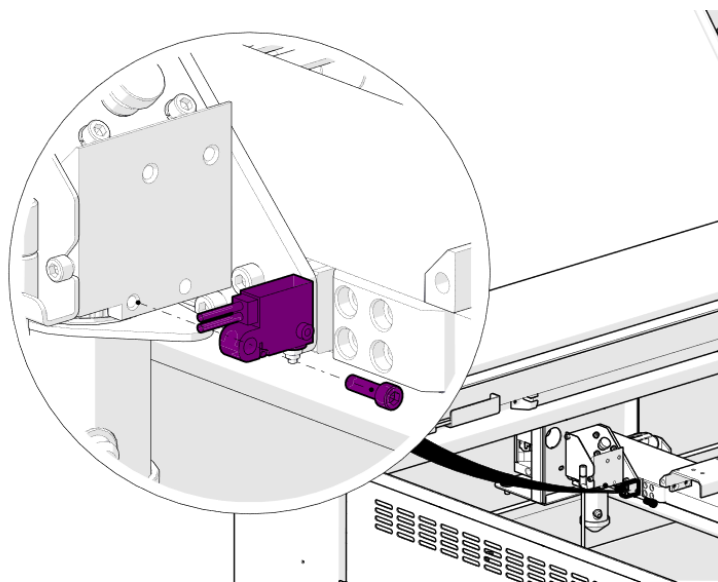


9. Move:



10. Remove:

⬡ 3/32

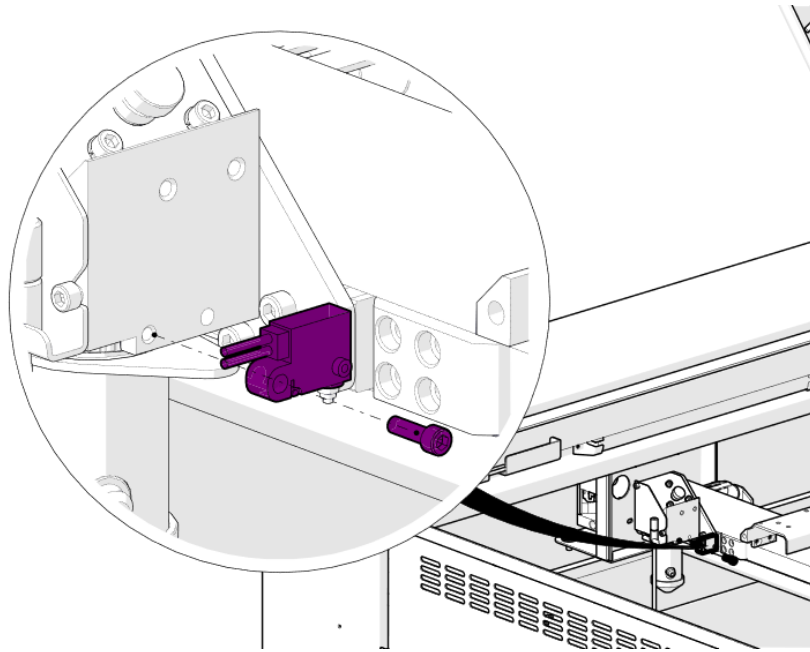


Auto Focus Switch removal is complete.

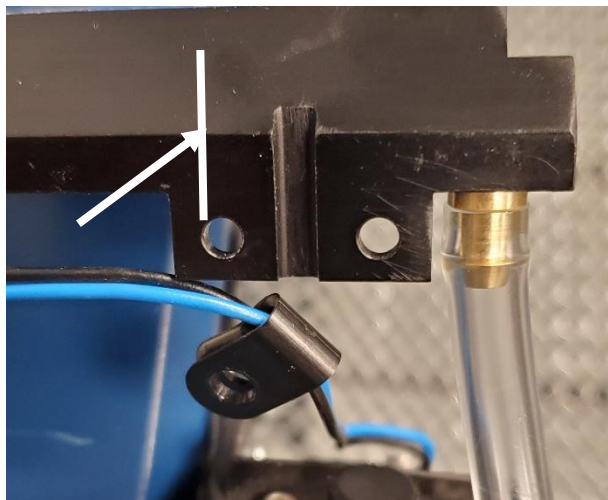
Auto Focus Switch Installation

1. Install

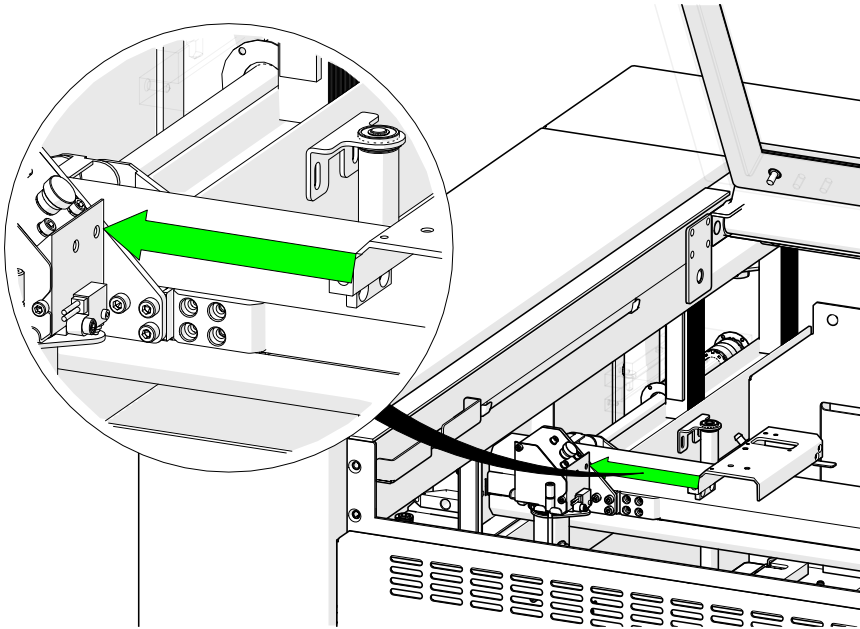
⬡ 3/32



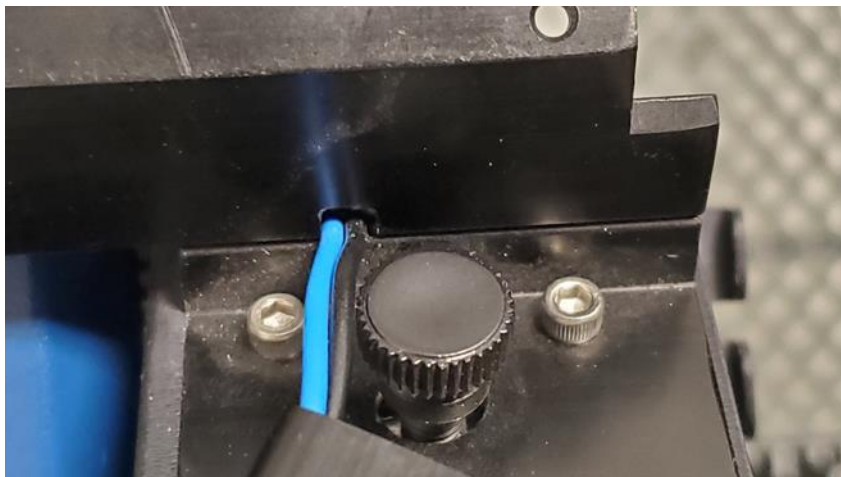
2. Route:



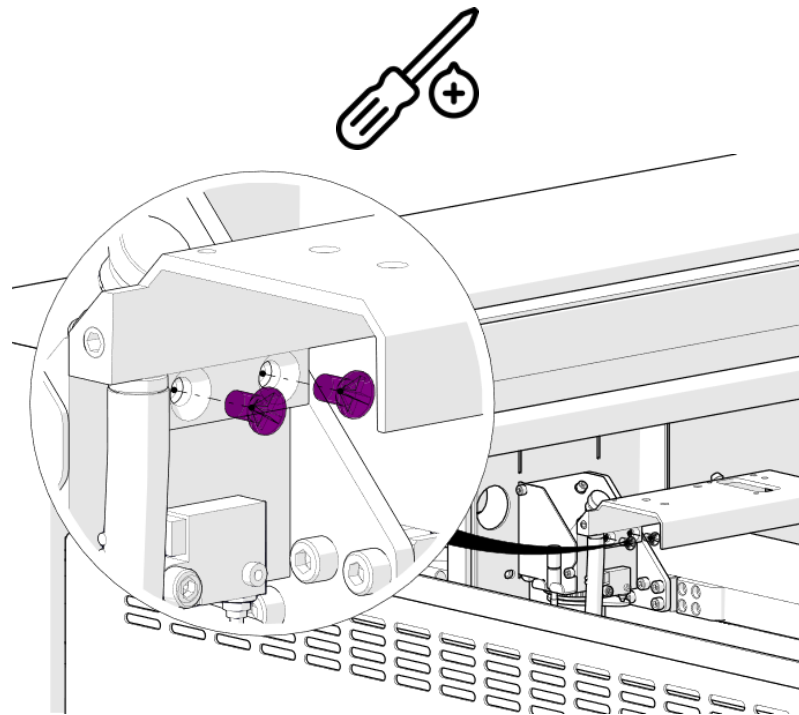
3. Move:



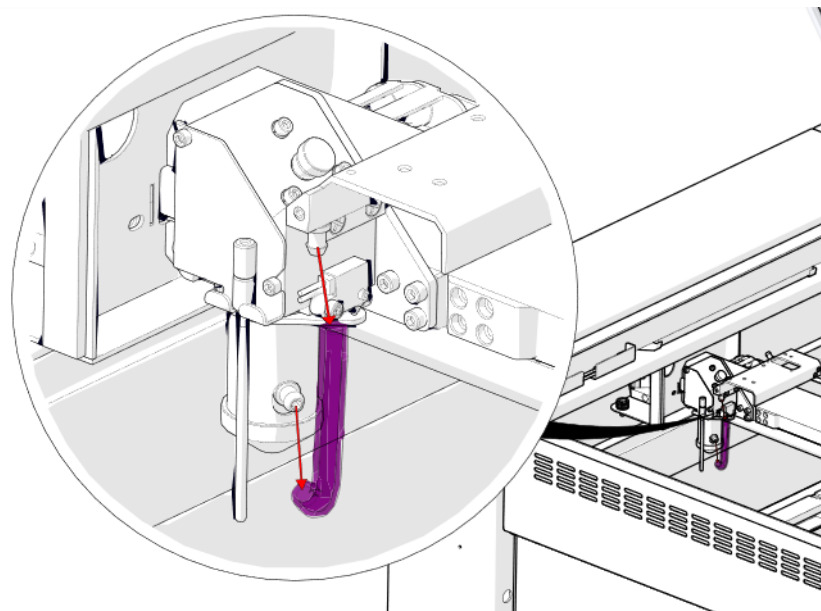
4. Inspect:



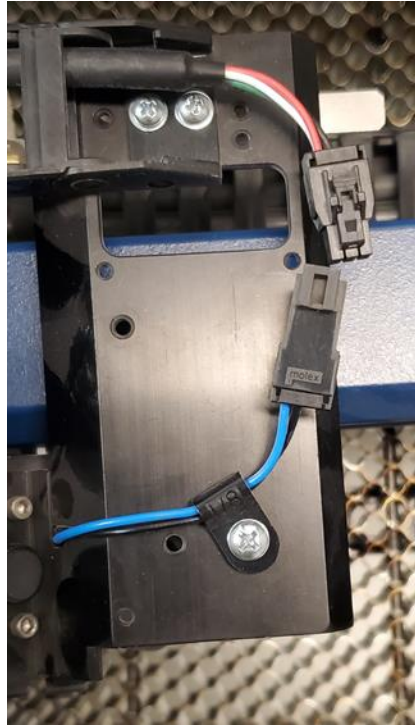
5. Install



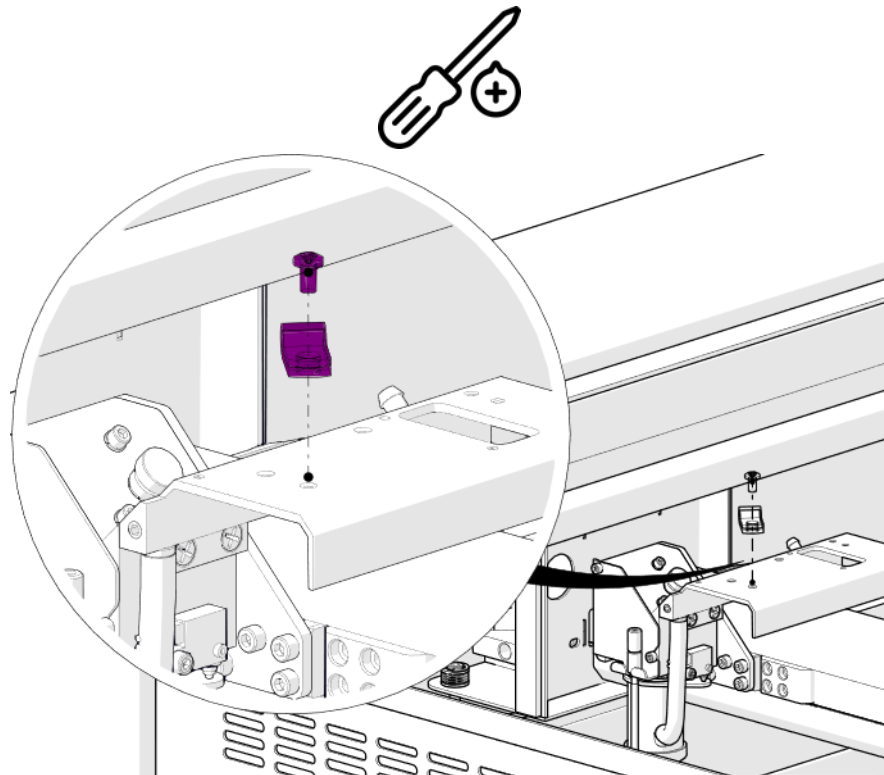
6. Install:



7. Connect:



8. Install:



9. Connect:



Connect Power

10. Apply power:



This completes the Auto Focus Switch installation.

Run Auto Focus calibration per manual instructions.