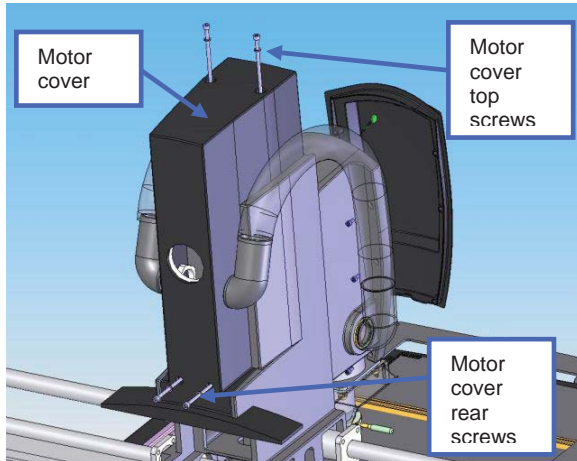


Replace Z-Axis Motor Assembly APR-ZAM

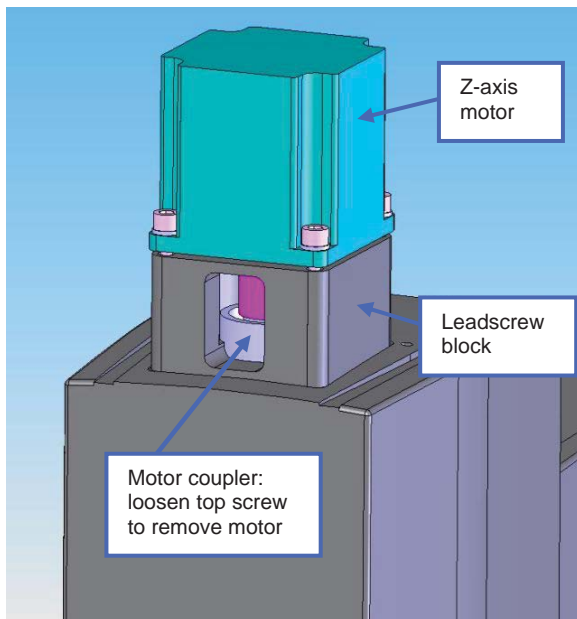


REQUIRED TOOLS:

- 1/16" hex key
- 5/64" hex key
- 3/32" hex key
- 7/64" hex key
- 9/64" hex key
- 5/32" hex key
- Phillips cross-tip screwdriver

Remove z-axis motor

1. Remove the four screws (two on top of the head; two on bottom near x-axis bar) attaching the z-axis motor cover.
2. Carefully lift the motor cover and remove the ground wires attached to the casting. Remove the ground wire from the top of the motor.
3. Remove the motor cover to access to the z-axis motor.
4. Remove the four screws attaching the motor to the leadscrew block.
5. Disconnect wire harness connector to motor.
6. Loosen the two topmost top setscrews in the motor coupler and carefully remove the z-axis motor.



Install z-axis motor

1. Drop in the new motor. The motor shaft should fit into the top of the motor coupler. Tighten the top screw of the motor coupler.
2. Install four motor screws and reconnect harness.
3. Install ground wire to the top of the motor.
4. Replace z-axis motor cover.

